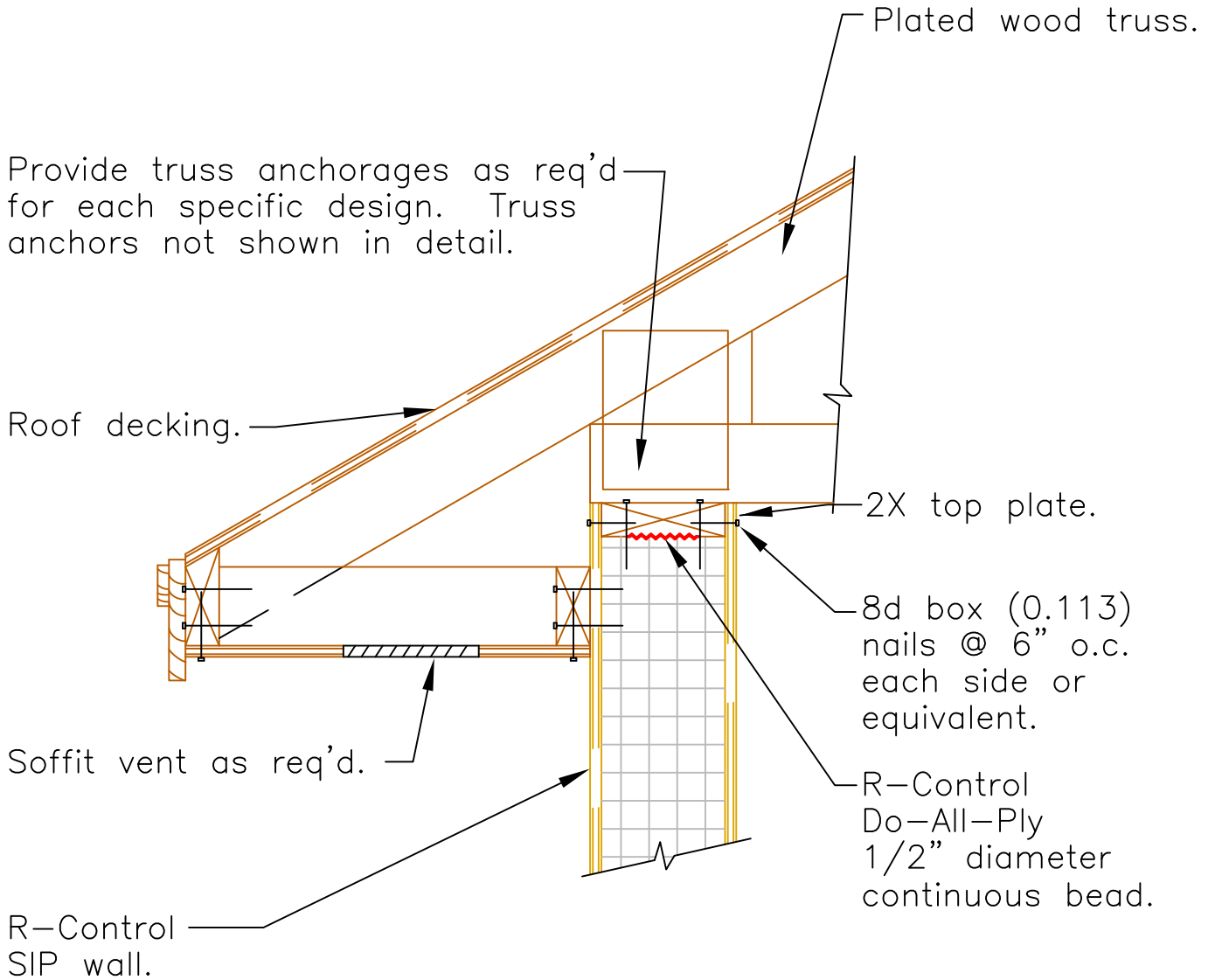


Provide truss anchorages as req'd for each specific design. Truss anchors not shown in detail.



SECTION

Scale: NTS

Updated 1-16-12

R-Control® SIP

TITLE:
Truss Bearing on SIP Wall

NO.
SIP-124