

Note: wall covering & water resistive barrier as req'd by code.

R-Control Do-All-Ply 1/2" diameter continuous bead.

Field installed bottom plate.

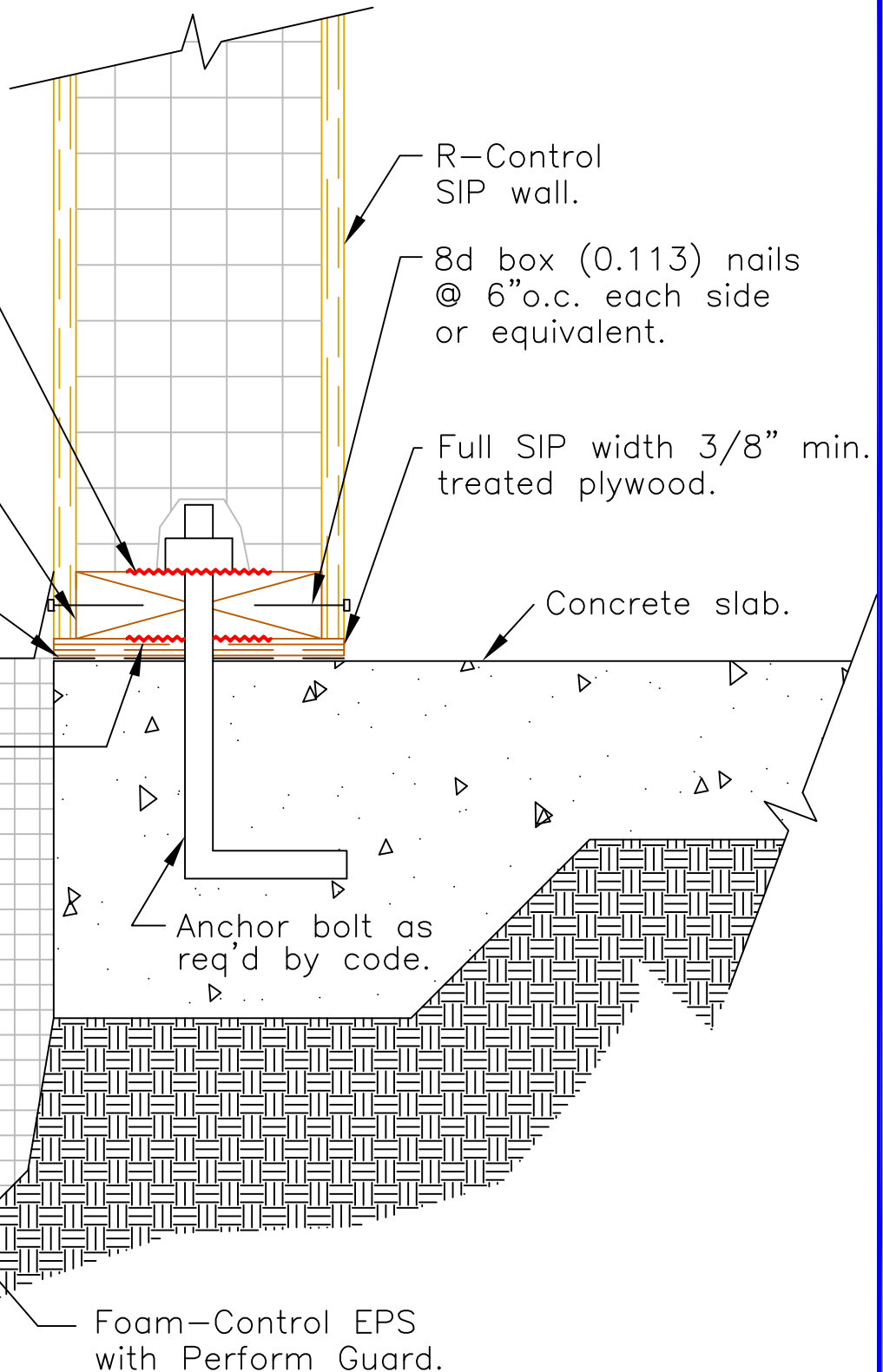
Sill sealer.

Insect clip or flashing.

Sealant.

R-Control Do-All-Ply 1/2" diameter continuous bead.

Protective covering.



SECTION

Scale: NTS

Updated 1-16-12

R-Control® SIP

TITLE:
Slab Foundation Framing

NO.
SIP-104a