



Foam-Control EPS

---

# NAILSTRIP

## WALL APPLICATIONS CONSTRUCTION MANUAL

CONTROL,  
NOT COMPROMISE.®

Note: Information deemed reliable at time of printing.  
Please visit [www.foam-control.com](http://www.foam-control.com) for the latest information.



**EPS**

# **NAILSTRIP WALL APPLICATIONS CONSTRUCTION MANUAL**

When you choose Foam-Control EPS Nailstrip, you're collaborating with a team of experts who work with you every step of the way. We're here to answer your questions, solve your problems, and do everything we can to make sure your project proceeds smoothly—and ends successfully.

Foam-Control EPS products are manufactured by a network of licensed manufacturers throughout North America and the world. Foam-Control EPS Nailstrip licensed facilities adhere to strict, consistent standards to ensure high-quality.

This network allows us to offer architects, designers and builders the best of both worlds: the resources of the country's largest provider of Nailstrip products and systems, and the superior attention and customer service of a local supplier.

**Note:** Information deemed reliable at time of printing. Please visit [www.foam-control.com](http://www.foam-control.com) for the latest information. January 2011.

# Table of Contents

## Foam-Control Nailstrip

---

### Details

#### General

Foam-Control Nailstrip . . . . .	FC-300
General Notes . . . . .	FC-300a
Vertical Installation . . . . .	FC-301
Horizontal Installation . . . . .	FC-301a
Optional Electrical Chases . . . . .	FC-302
Electrical Box . . . . .	FC-303

#### Interior

Interior Top of Wall . . . . .	FC-402
Interior Top of Wall . . . . .	FC-402a
Interior Bottom of Wall . . . . .	FC-403
Interior Opening Header . . . . .	FC-404
Interior Opening Sill . . . . .	FC-405
Interior Opening Jamb . . . . .	FC-406
Interior Outside Corner . . . . .	FC-407
Interior Inside Corner . . . . .	FC-408

#### Exterior

Exterior Top of Wall . . . . .	FC-502
Exterior Top of Wall . . . . .	FC-502a
Exterior Bottom of Wall . . . . .	FC-503
Exterior Bottom of Wall . . . . .	FC-503a
Exterior Opening Header . . . . .	FC-504
Exterior Opening Sill . . . . .	FC-505
Exterior Opening Jamb . . . . .	FC-506
Exterior Outside Corner . . . . .	FC-507
Exterior Outside Corner . . . . .	FC-507a
Exterior Inside Corner . . . . .	FC-508
Exterior Inside Corner . . . . .	FC-508a

# General Recommendations

---

## Foam-Control Nailstrip Sizes

Foam-Control Nailstrip is made in a variety of sizes, most commonly 4' x 8'. Consult the local Foam-Control Nailstrip Manufacturer for sizes, thicknesses, and fabrication services available in your area.

---

## Environmentally Safe

The core material for Foam-Control Nailstrip, Foam-Control EPS, contains no CFCs, HCFCs, HFCs or formaldehyde and is recyclable. Foam-Control EPS is inert, non-nutritive and highly stable. Your Foam-Control Nailstrip Manufacturer encourages you to support recycling and energy conservation.

---

## Warranty

Foam-Control Nailstrip Manufacturers provide a 20-year warranty covering thermal performance. Contact the local Foam-Control Nailstrip manufacturer for details regarding the warranty program.

---

## Handling - Storage - Protection

Foam-Control Nailstrip should be stored in a fully supported manner and protected from weather. Cover stored Foam-Control Nailstrip with tarps or similar protective wraps. Exposure 1 OSB facings are used in Foam-Control Nailstrip manufacture; however, exterior wall installations must be covered by a code recognized weather resistive barrier applied at the time of installation. Apply wall cladding when immediately practical.

EPS contains a flame retardant additive. However, the EPS should be considered combustible and used with code approved thermal barriers and should not be stored near any open flame or source of ignition. Do not install or use EPS with coal-tar pitch or highly solvent extended mastics, adhesives or sealants. Consult the local Foam-Control Nailstrip Manufacturer for suggested adhesives, sealants, and assembly specifications not otherwise detailed in this manual.

## General Recommendations - cont'd

---

### Vapor Retarders

Foam-Control Nailstrip may require the use of a vapor retarder. Consult with a local design professional for a recommendation.

---

### Special Treatments

Foam-Control Nailstrip can be produced with Foam-Control EPS with Perform Guard that protects the core insulation from potential termite damage. Please contact your local Foam-Control Nailstrip manufacturer.



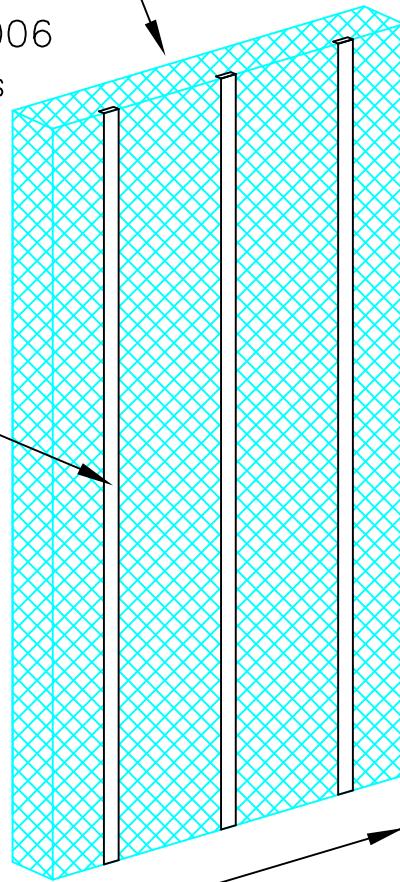
---

### Disclaimer

Details, illustrations, pictures and guidelines provided herein give basic information and illustrate examples of Foam-Control Nailstrip installation. The basic information provided herein is not intended to cover every potential use and application of Foam-Control Nailstrip. It is the responsibility of the installer to become familiar with his specific application and determine if Foam-Control Nailstrip is suitable. By commencing work, the installer accepts full responsibility for the proper and safe installation of Foam-Control Nailstrip at his job site. Adding an insulation component may change the behavior of a wall assembly with regard to air movement, water vapor transmittance, bulk water management and heating, cooling and ventilation systems. It is the responsibility of the owner or the owner's representative to design the insulated wall assembly to perform in a manner ensuring function and durability. Furthermore, it is the sole responsibility of the installer to meet all federal and local regulatory requirements for job site safety for himself, his workers and any others on the job site while in the execution of all phases of Foam-Control Nailstrip installation.

Foam-Control EPS  
ASTM C578 Type I  
ICC-ES ESR-1006  
Thickness Varies

2" Wide Strips of 7/16"  
Oriented Strand Board  
(OSB) DOC-PS2  
EXPOSURE 1  
16" o.c. Typical



8', 9', 10'  
Length Typical

4' Width Typical

**ISOMETRIC**

SCALE: NTS

Updated 1-21-11

Foam-Control® Nailstrip

TITLE:  
Foam-Control Nailstrip

NO.  
FC-300

## General Notes

1. Provide adequate support for Foam-Control Nailstrip during storage.
2. Store Foam-Control Nailstrip flat and protected from weather.
3. Exterior applications:  
Foam-Control Nailstrip must be covered with code recognized weather resistive barrier at time of installation. Apply wall covering to Foam-Control Nailstrip following wall covering manufacturer recommendations. Fasten trim to Foam-Control Nailstrip or wood blocking as required.
4. Interior applications:  
Foam-Control Nailstrip must be covered with code approved thermal barrier. Fasten thermal barrier to Foam-Control Nailstrip or wood blocking as required.
5. Attachment of Foam-Control Nailstrip shall be with screws into structural members/substrate.
6. Each project shall be engineered as required.
7. Details provided are illustrative examples of Foam-Control Nailstrip installation and not intended to cover every potential use and application.

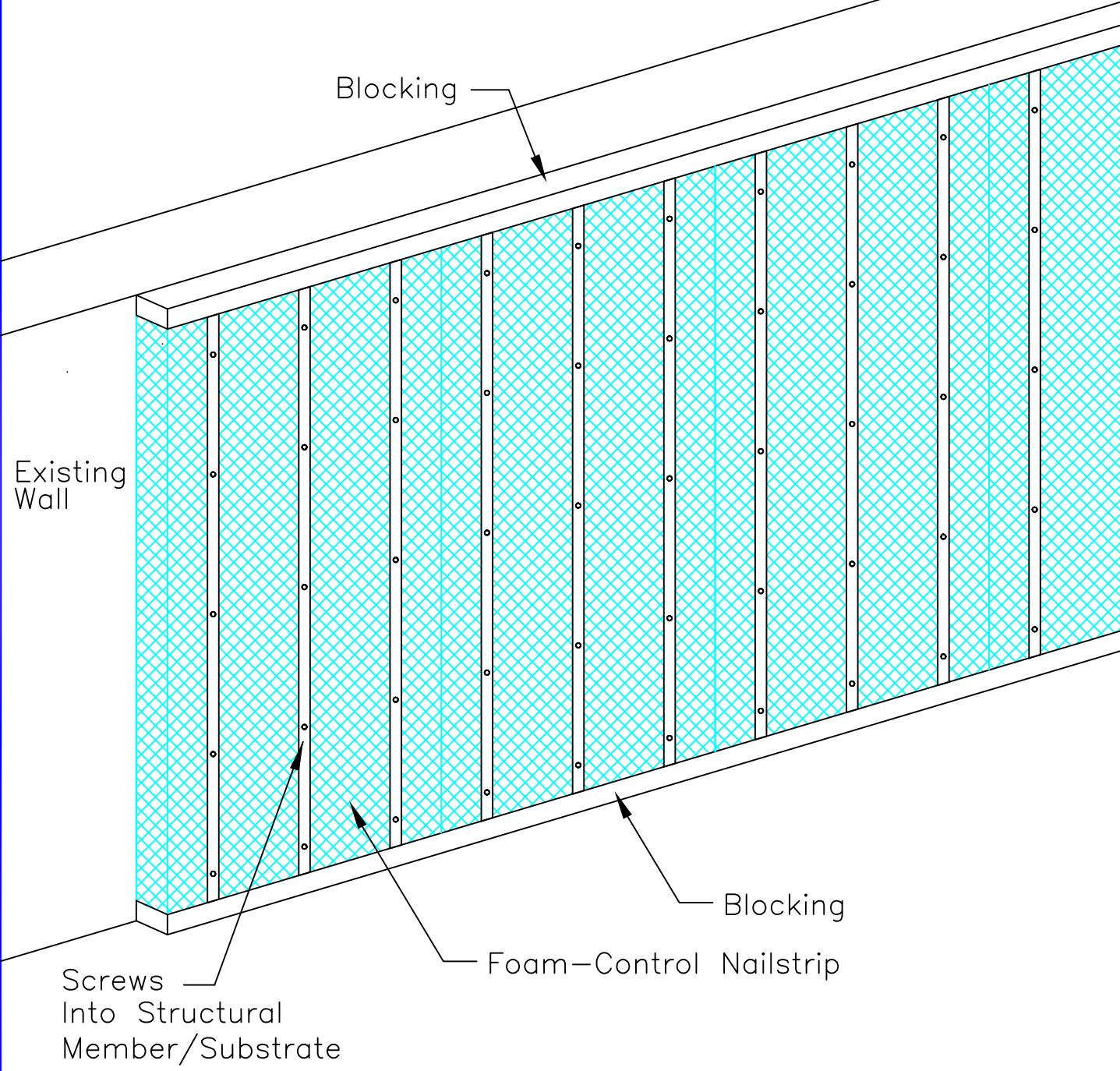
Updated 1-21-11

Foam-Control® Nailstrip

TITLE:  
GENERAL NOTES

NO.  
FC-300a

Note: Screw Pattern Illustrated Is Representative. Each Project Shall Be Engineered As Required.



**ISOMETRIC**

SCALE: NTS

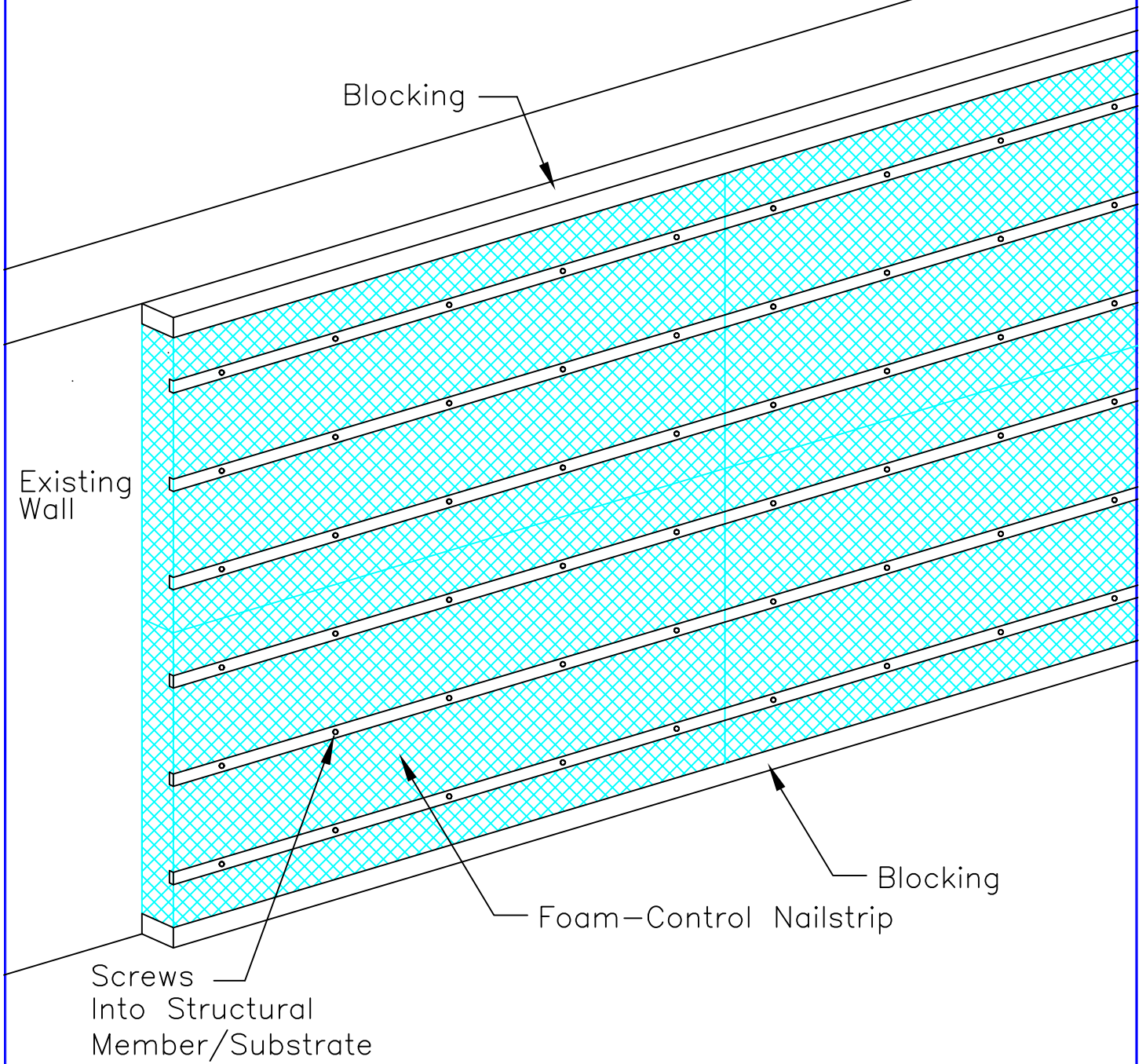
Updated 1-21-11

**Foam-Control® Nailstrip**

TITLE:  
VERTICAL INSTALLATION

NO.  
FC-301

Note: Screw Pattern Illustrated Is Representative. Each Project Shall Be Engineered As Required.



**ISOMETRIC**

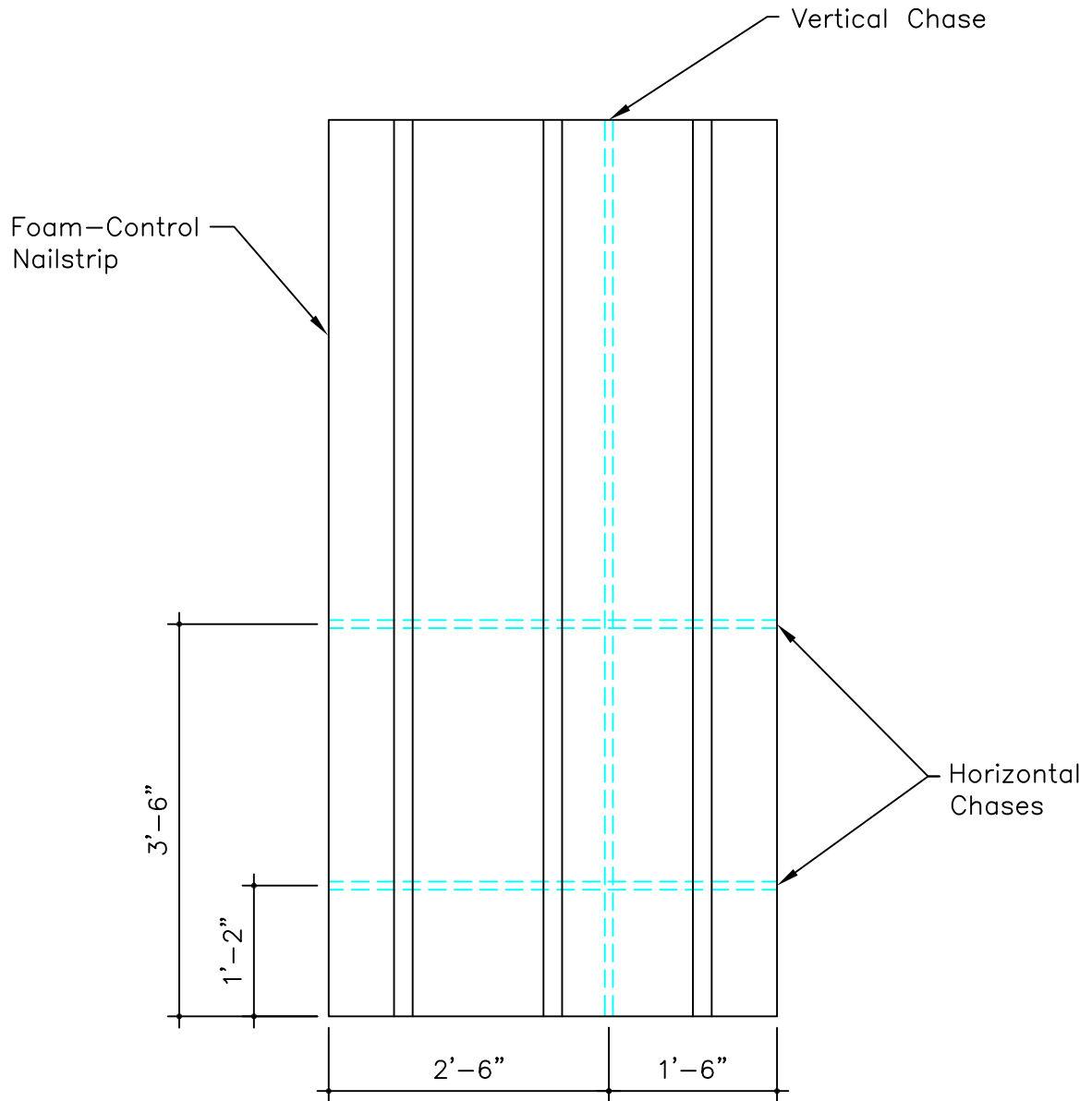
SCALE: NTS

Updated 1-21-11

Foam-Control® Nailstrip

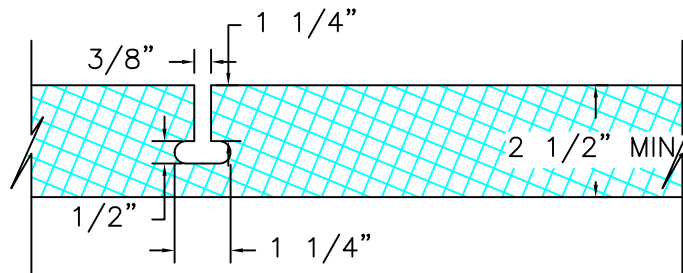
TITLE:  
HORIZONTAL INSTALLATION

NO.  
FC-301a



## ELEVATION

SCALE: NTS



## SECTION

SCALE: NTS

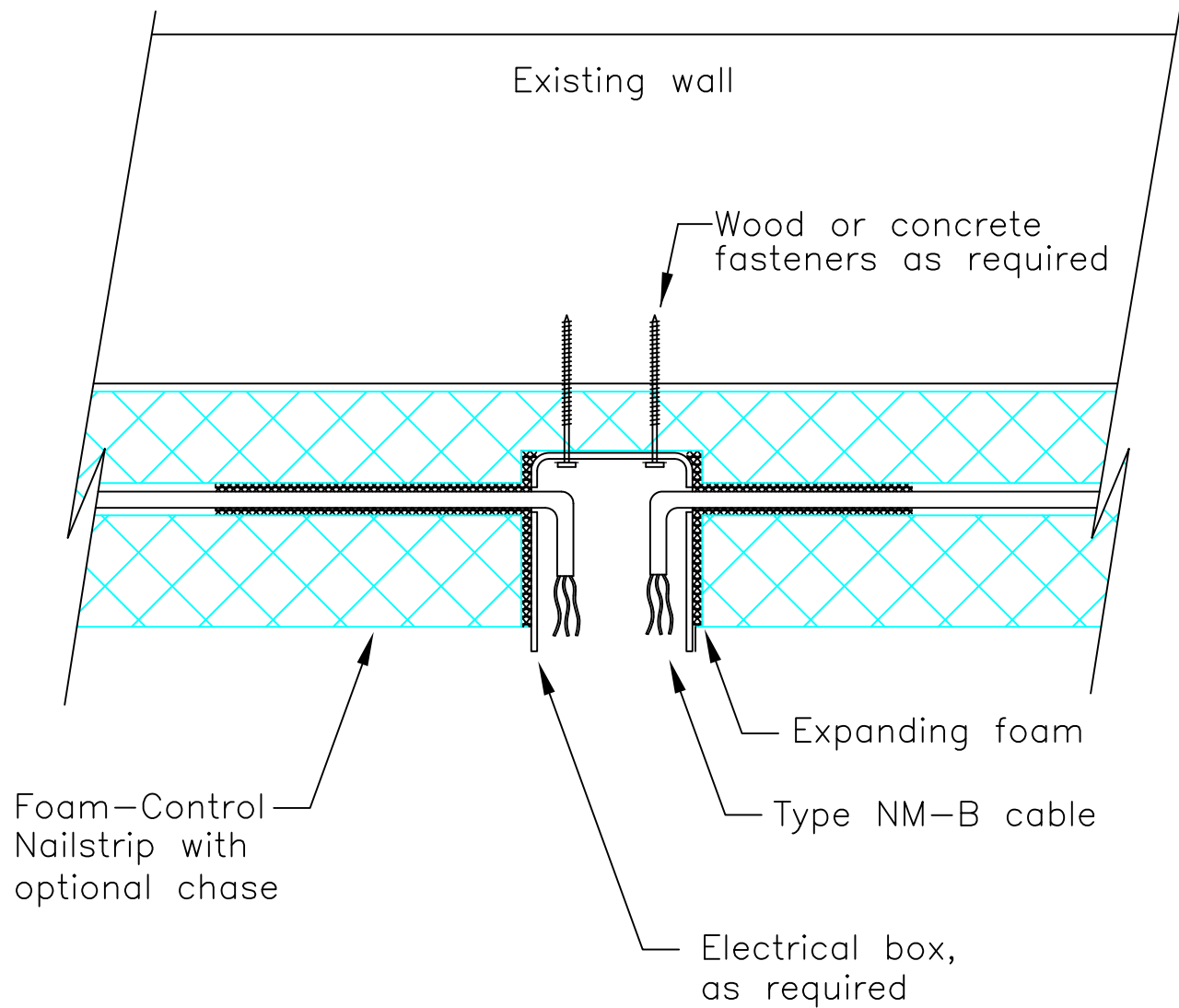
Updated 1-21-11

Foam-Control® Nailstrip

TITLE: OPTIONAL ELECTRICAL CHASES	NO. FC-302
--------------------------------------	---------------

Interior: Cover Foam-Control Nailstrip with Gypsum Board

Exterior: Cover Foam-Control Nailstrip with Weather Resistive Barrier and Wall Cladding



## SECTION

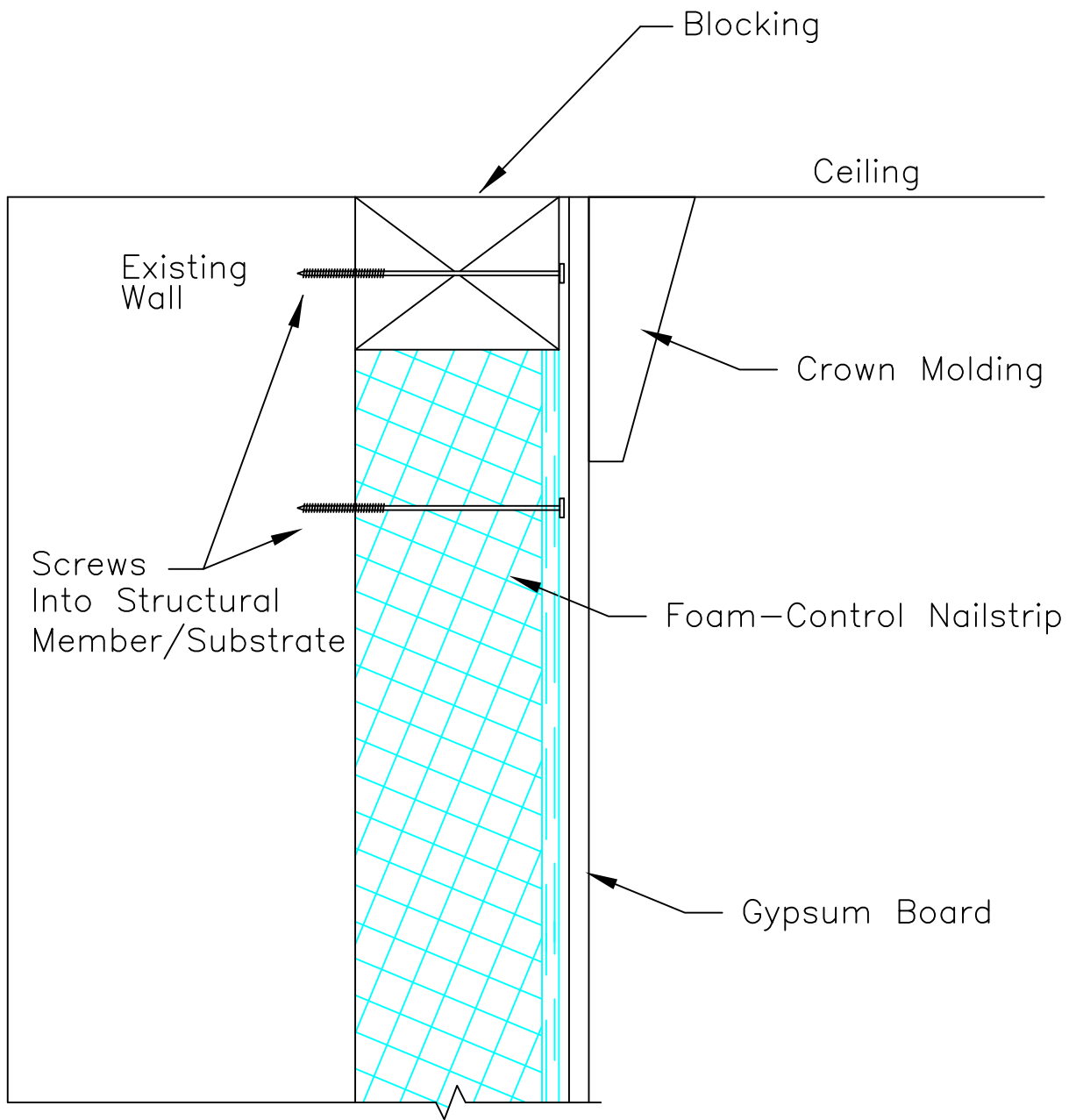
SCALE: NTS

Updated 1-21-11

# Foam-Control® Nailstrip

TITLE:  
ELECTRICAL BOX

NO.  
FC-303



**SECTION**

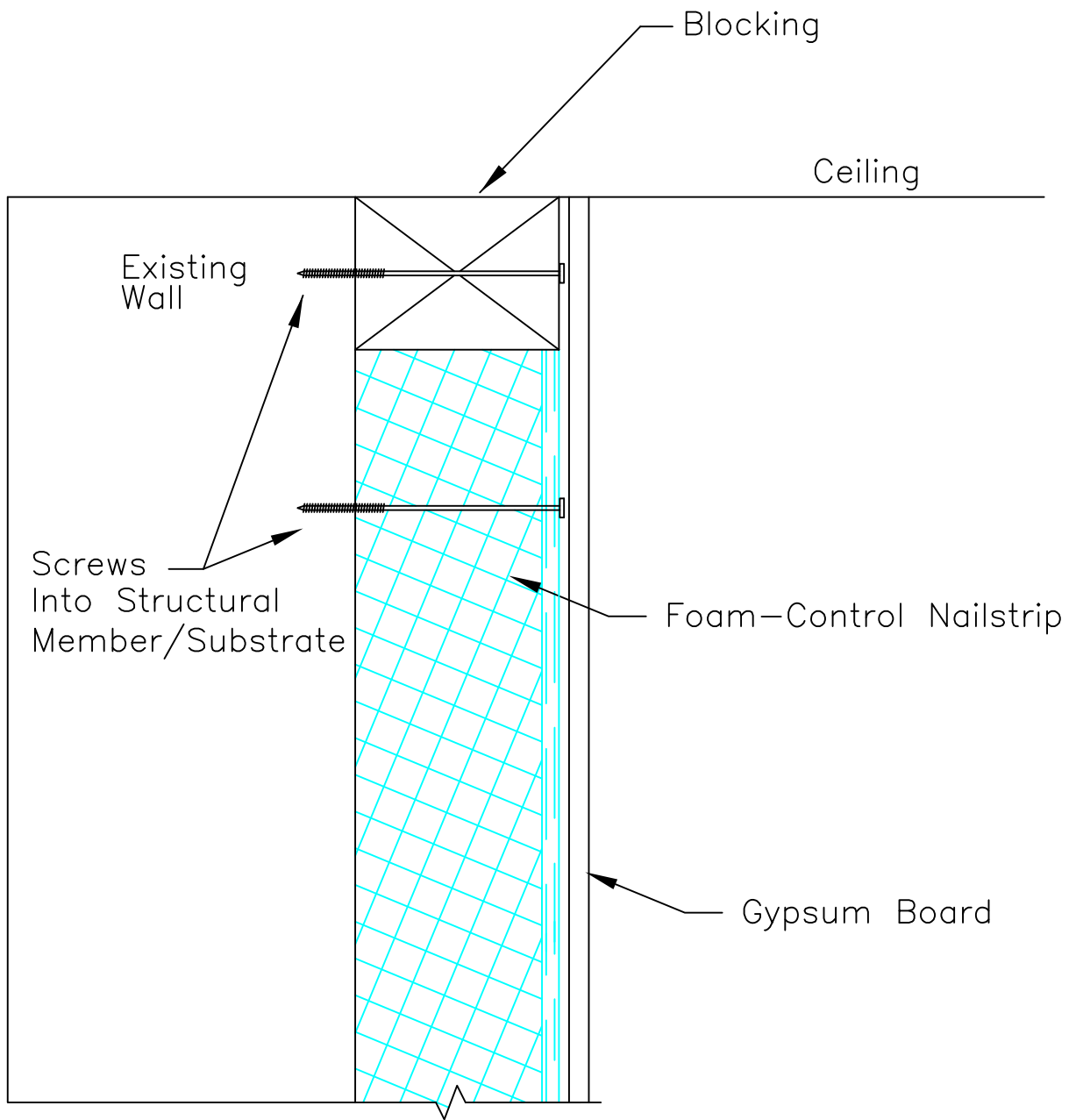
SCALE: NTS

Updated 1-21-11

**Foam-Control® Nailstrip**

TITLE:  
INTERIOR TOP OF WALL

NO.  
FC-402



**SECTION**

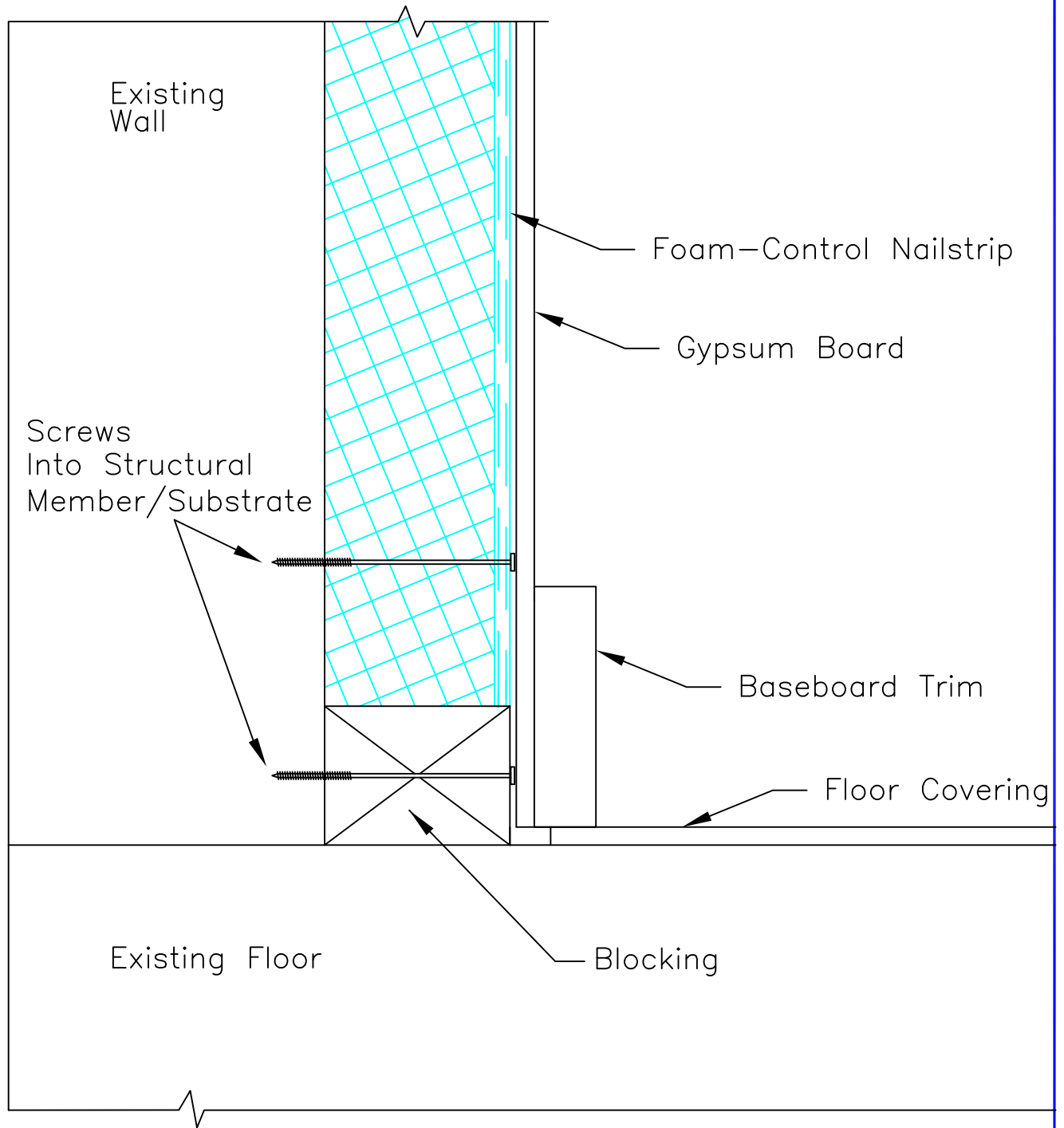
SCALE: NTS

Updated 1-21-11

**Foam-Control® Nailstrip**

TITLE:  
INTERIOR TOP OF WALL

NO.  
FC-402a



**SECTION**

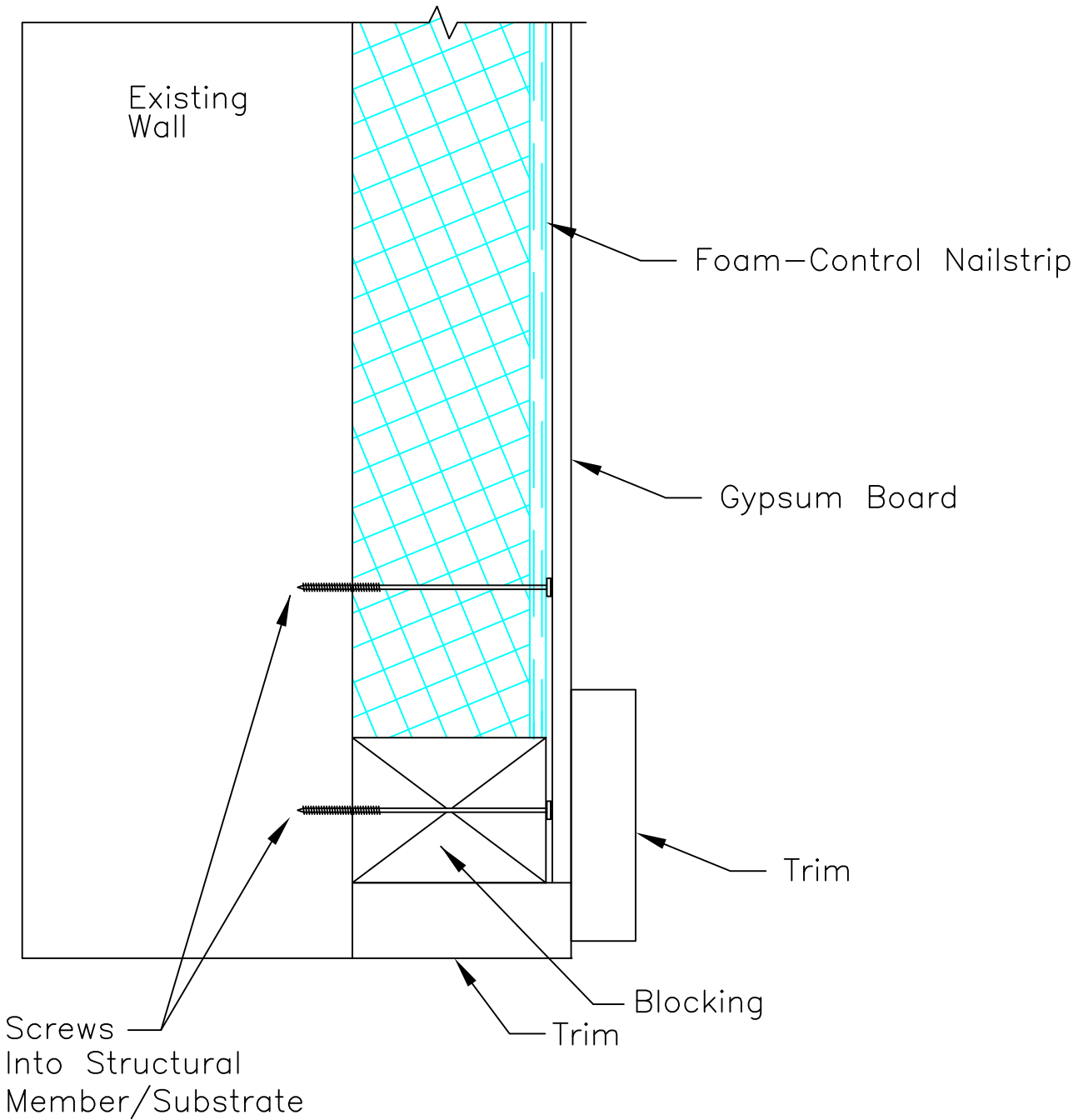
SCALE: NTS

Updated 1-21-11

**Foam-Control® Nailstrip**

TITLE:  
INTERIOR BOTTOM OF WALL

NO.  
FC-403



**SECTION**

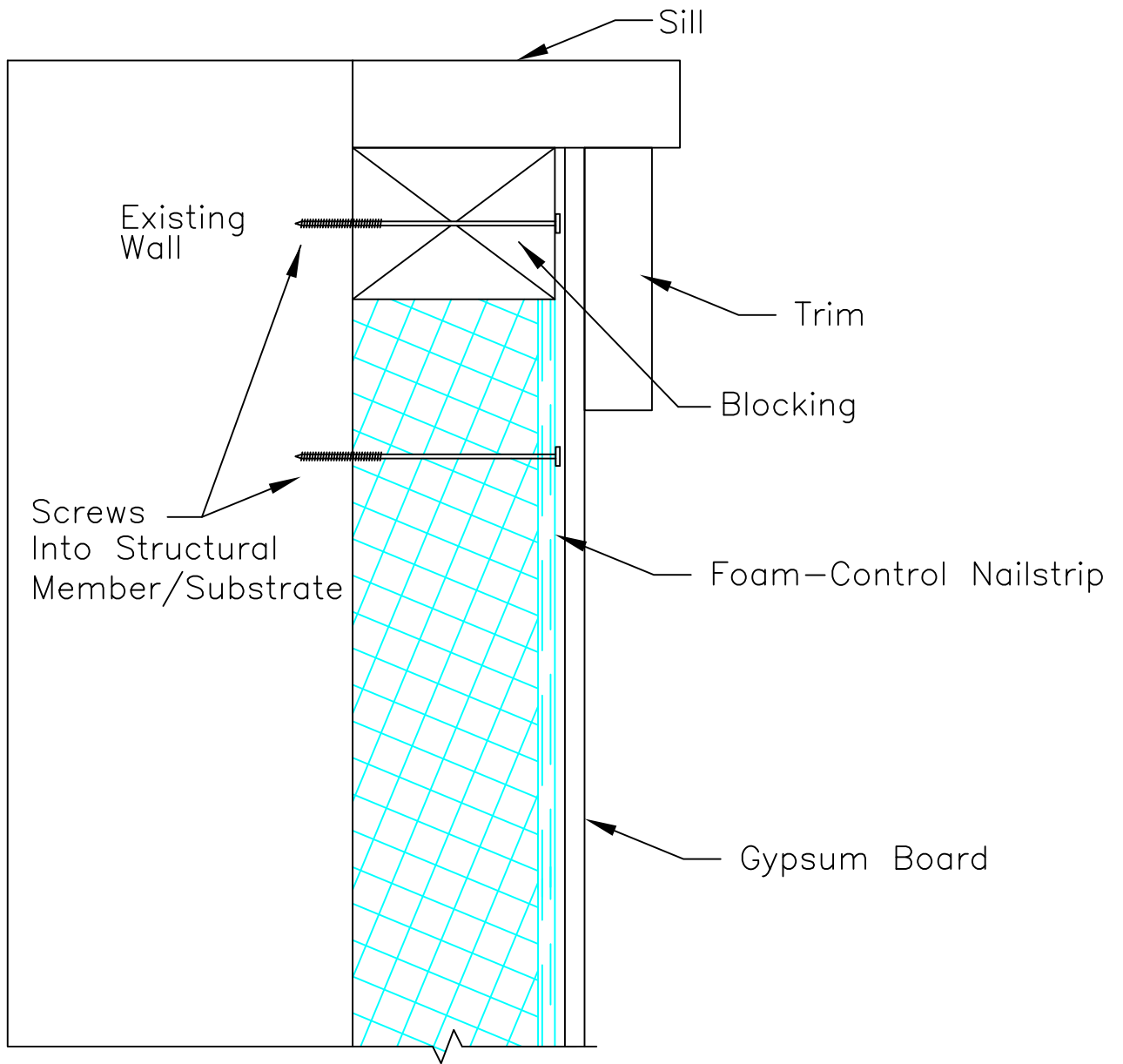
SCALE: NTS

Updated 1-21-11

**Foam-Control® Nailstrip**

TITLE:  
INTERIOR OPENING HEADER

NO.  
FC-404



**SECTION**

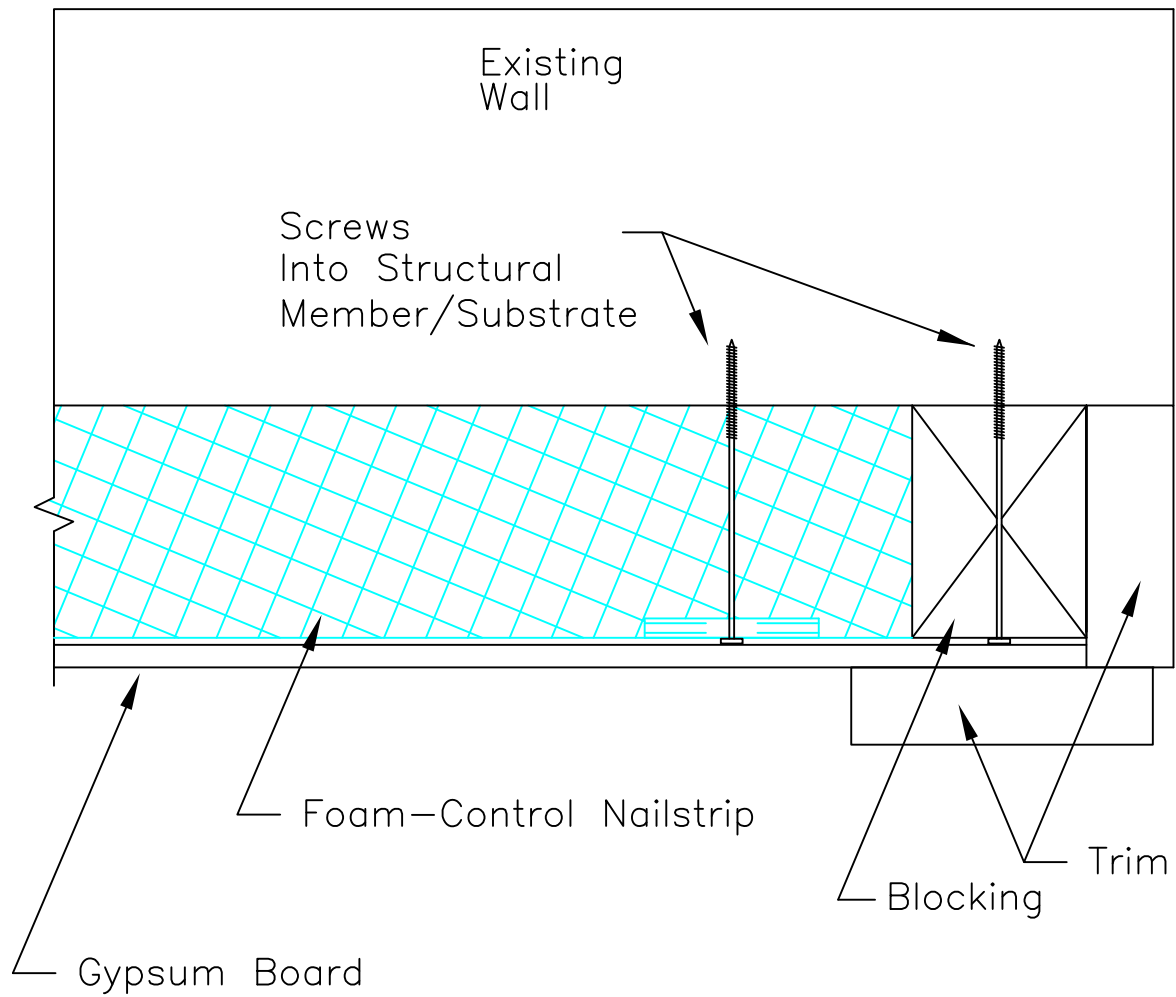
SCALE: NTS

Updated 1-21-11

**Foam-Control® Nailstrip**

TITLE:  
INTERIOR OPENING SILL

NO.  
FC-405



**SECTION**

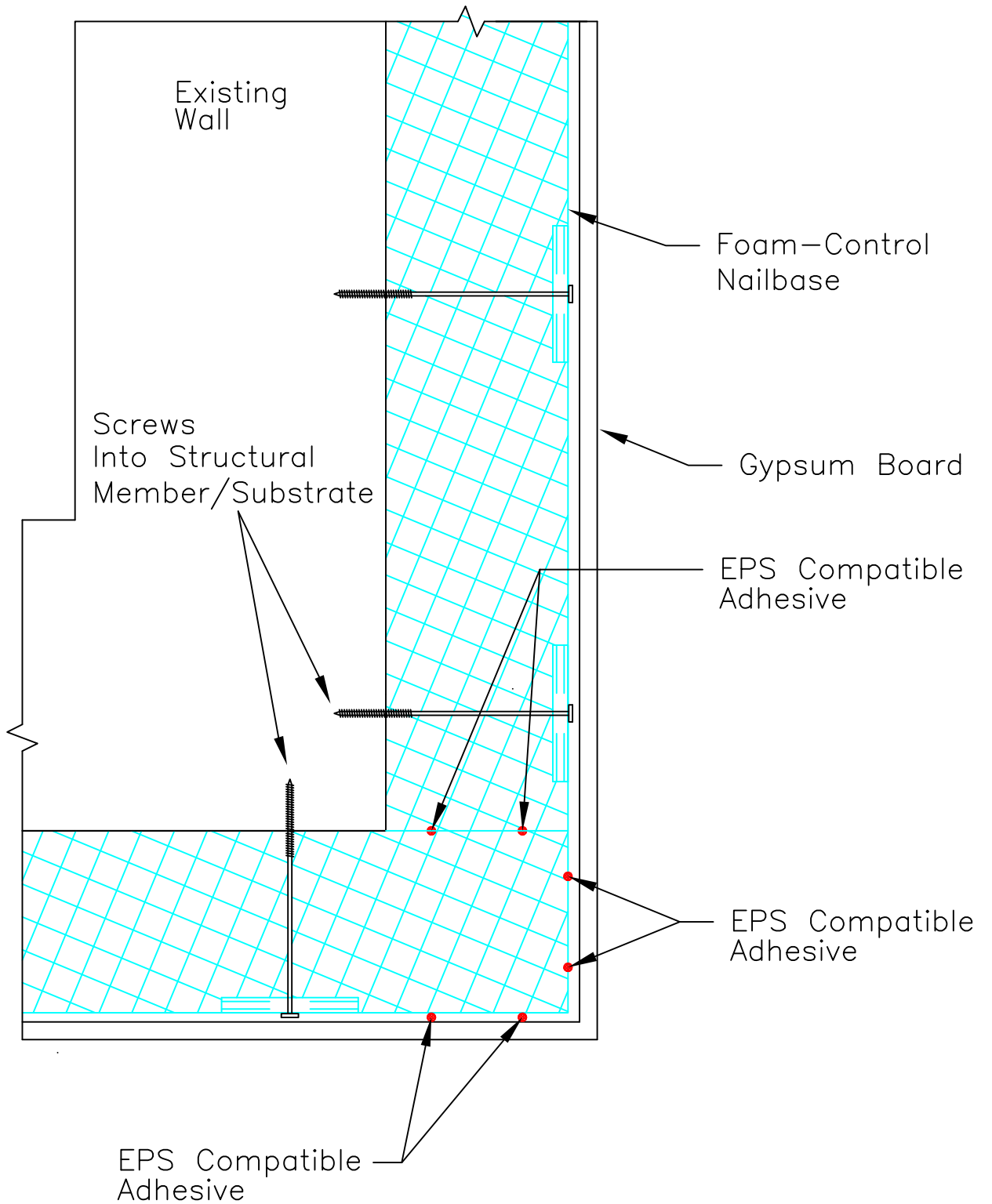
SCALE: NTS

Updated 1-21-11

**Foam-Control® Nailstrip**

TITLE:  
INTERIOR OPENING JAMB

NO.  
FC-406



**SECTION**

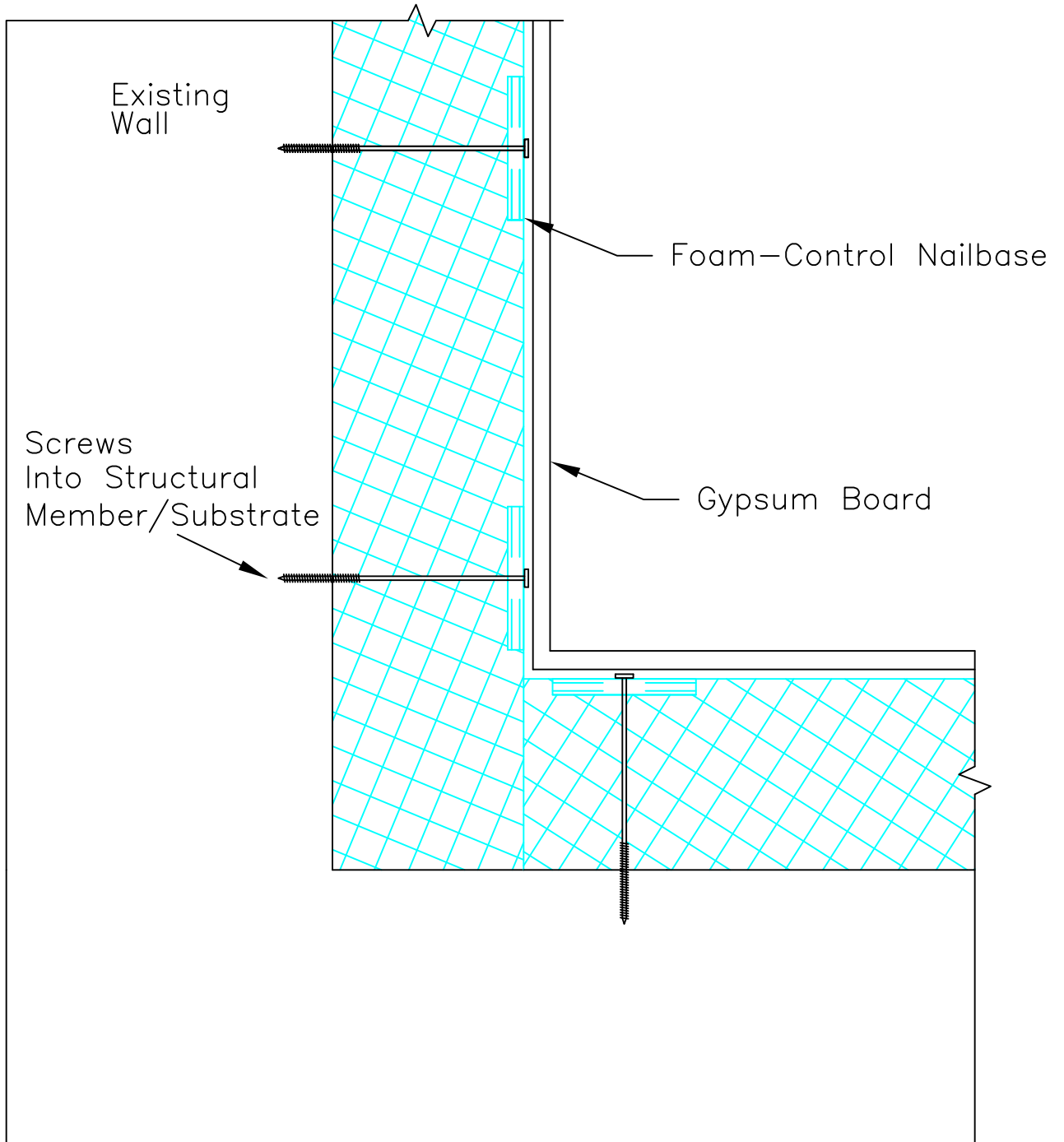
SCALE: NTS

Updated 1-21-11

**Foam-Control® Nailstrip**

TITLE:  
INTERIOR OUTSIDE CORNER

NO.  
FC-407



**SECTION**

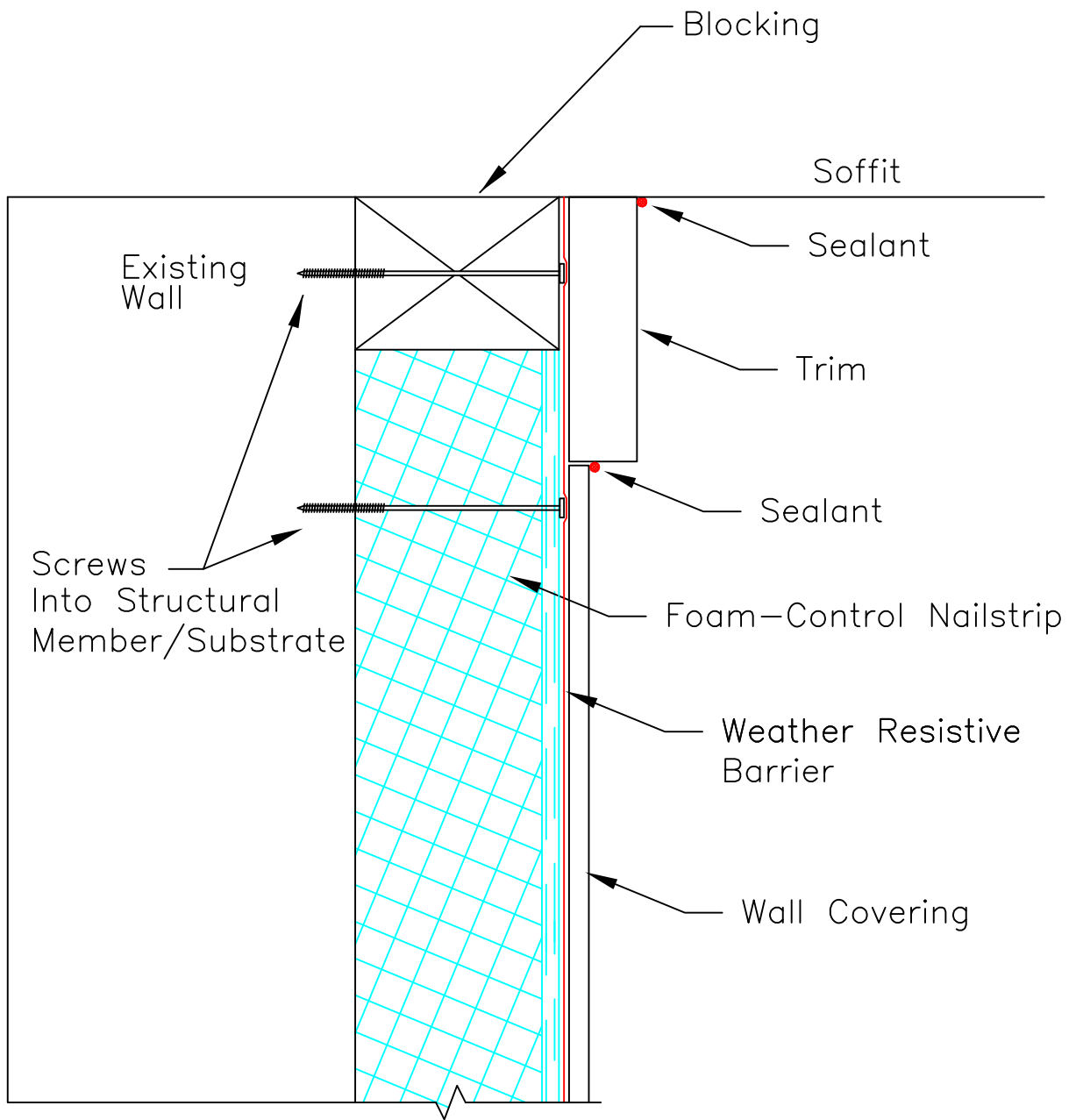
SCALE: NTS

Updated 1-21-11

**Foam-Control® Nailstrip**

TITLE:  
INTERIOR INSIDE CORNER

NO.  
FC-408



**SECTION**

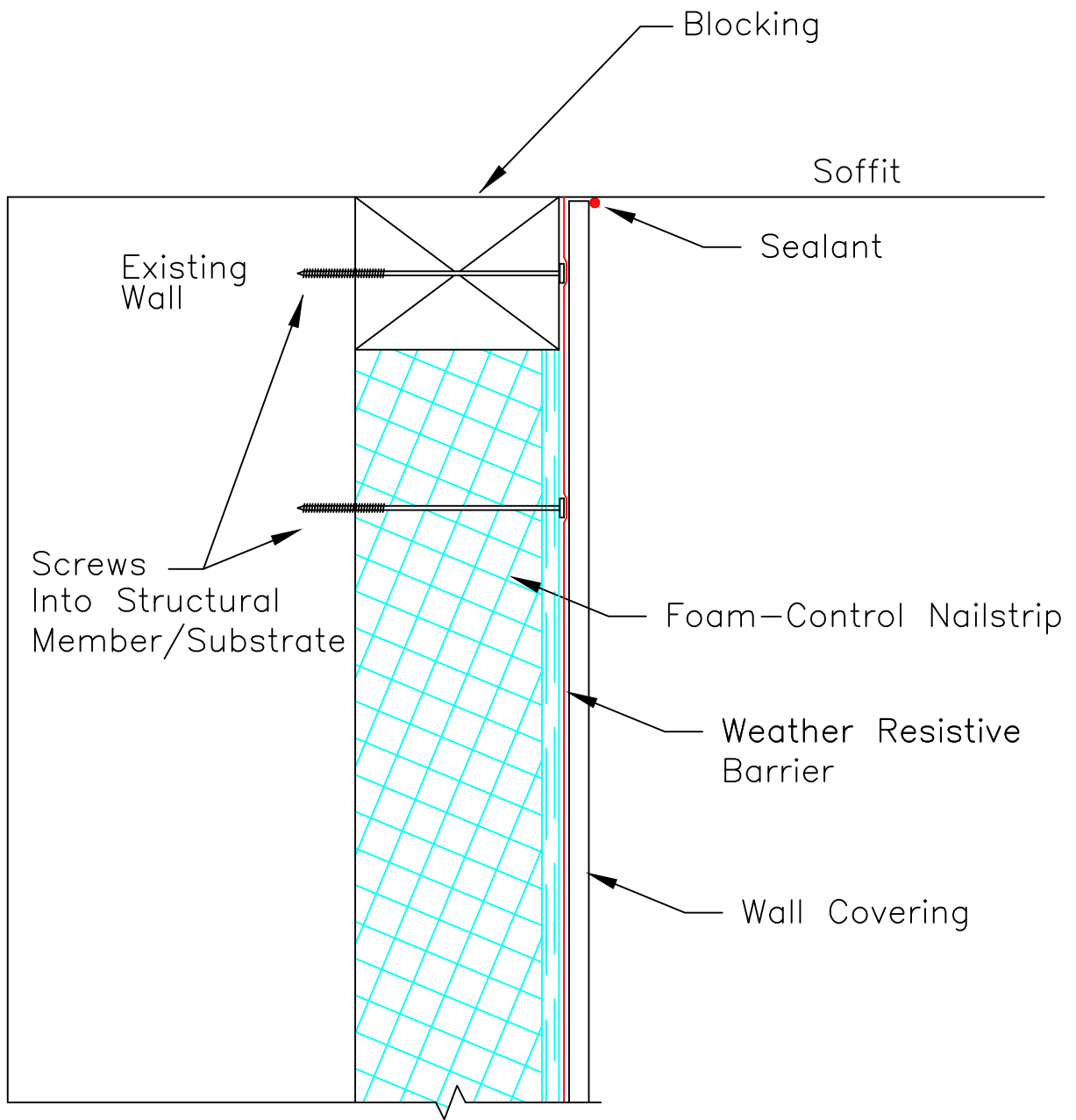
SCALE: NTS

Updated 1-21-11

**Foam-Control® Nailstrip**

TITLE:  
EXTERIOR TOP OF WALL

NO.  
FC-502



**SECTION**

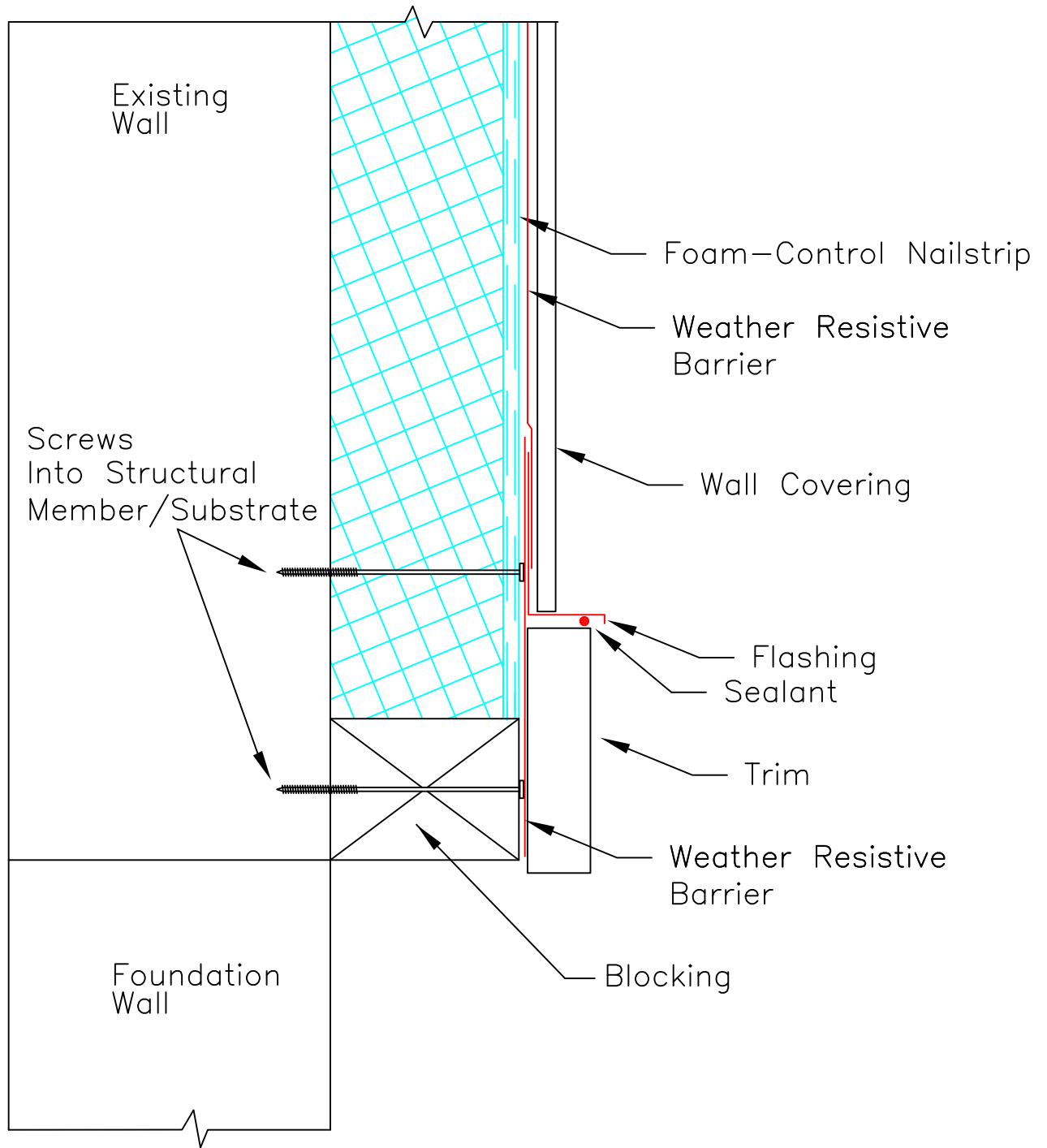
SCALE: NTS

Updated 1-21-11

**Foam-Control® Nailstrip**

TITLE:  
EXTERIOR TOP OF WALL

NO.  
FC-502a



**SECTION**

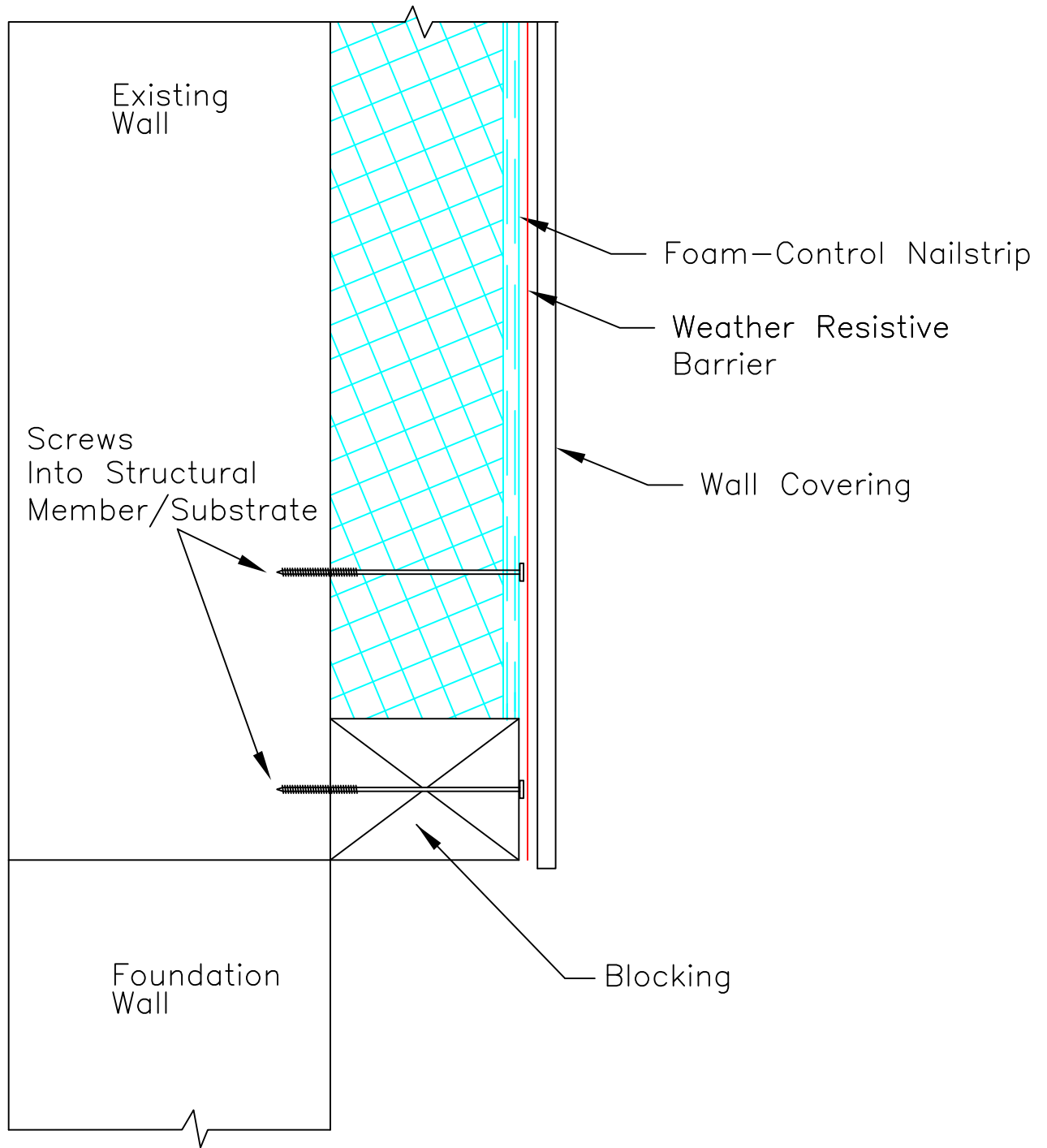
SCALE: NTS

Updated 1-21-11

**Foam-Control® Nailstrip**

TITLE:  
EXTERIOR BOTTOM OF WALL

NO.  
FC-503



**SECTION**

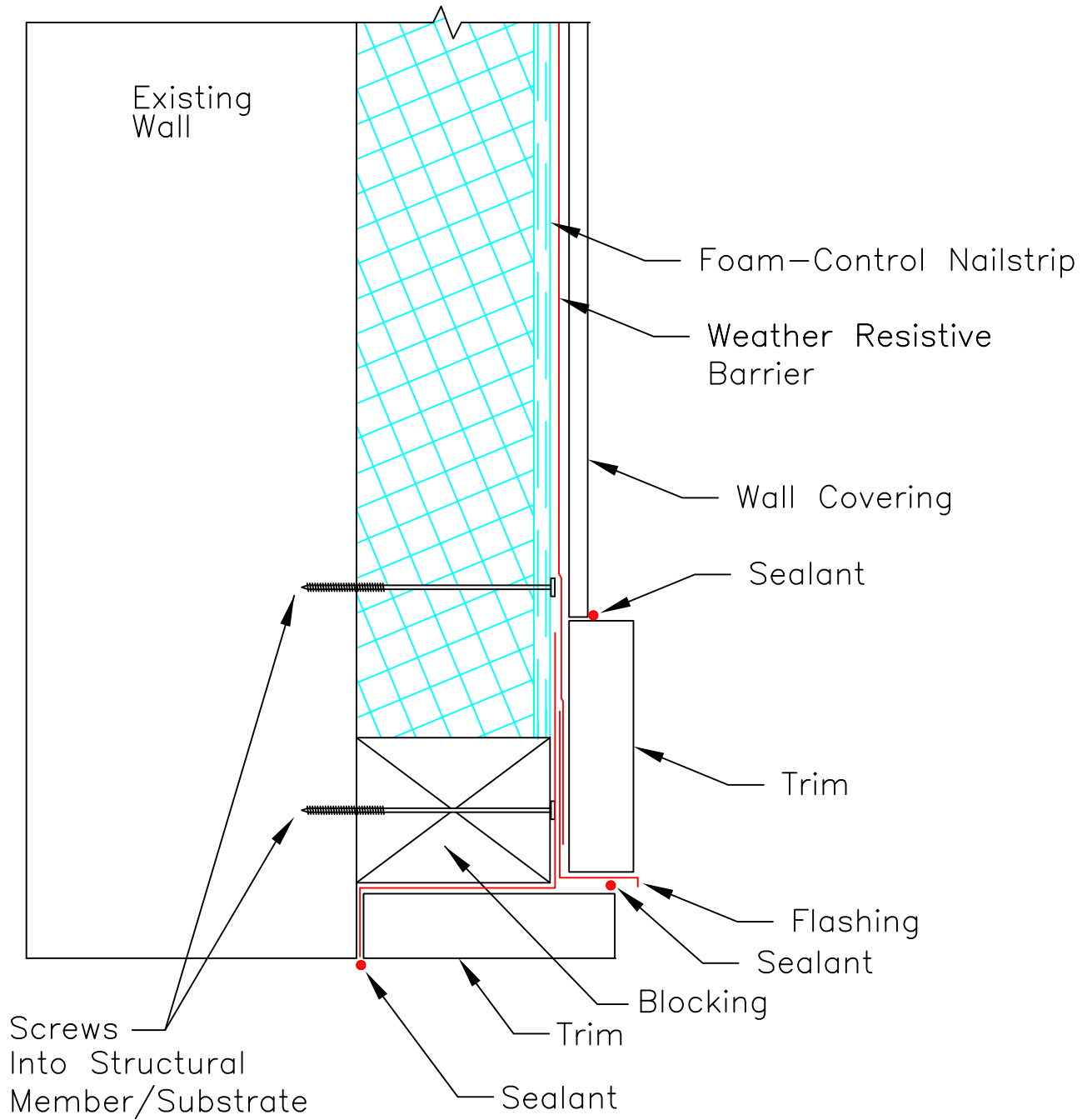
SCALE: NTS

Updated 1-21-11

**Foam-Control® Nailstrip**

TITLE:  
EXTERIOR BOTTOM OF WALL

NO.  
FC-503a



**SECTION**

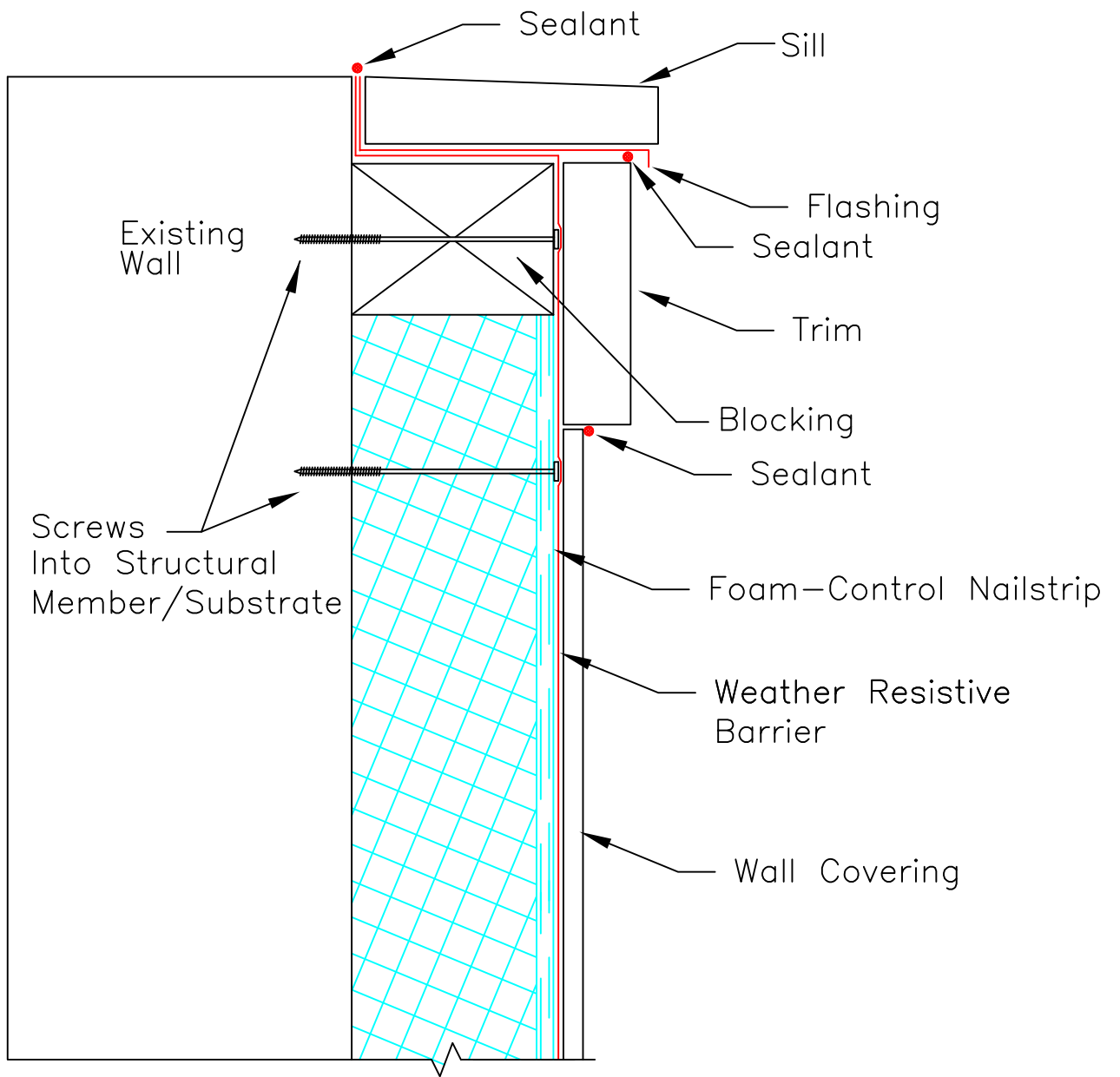
SCALE: NTS

Updated 1-21-11

**Foam-Control® Nailstrip**

TITLE:  
EXTERIOR OPENING HEADER

NO.  
FC-504



**SECTION**

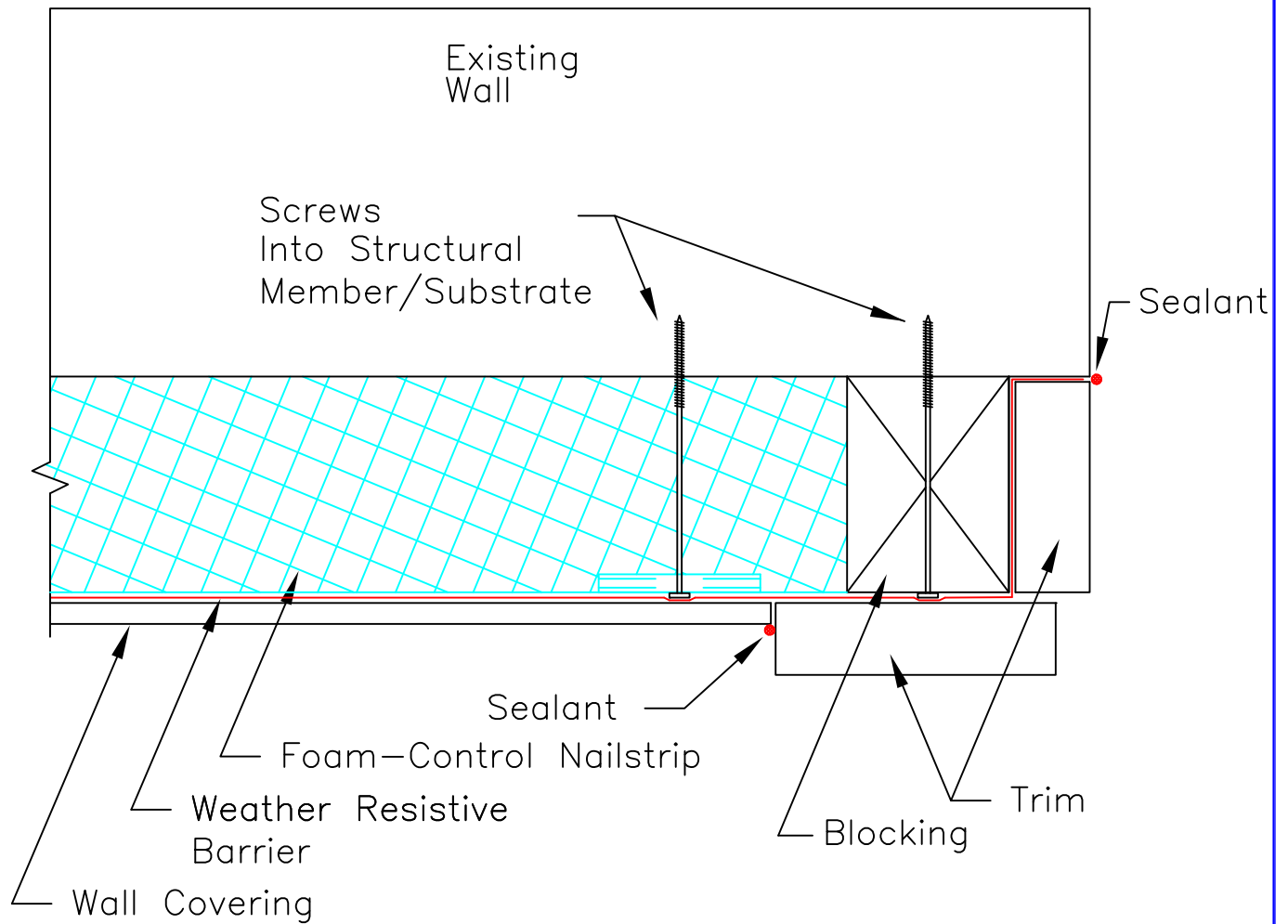
SCALE: NTS

Updated 1-21-11

**Foam-Control® Nailstrip**

TITLE:  
EXTERIOR OPENING SILL

NO.  
FC-505



**SECTION**

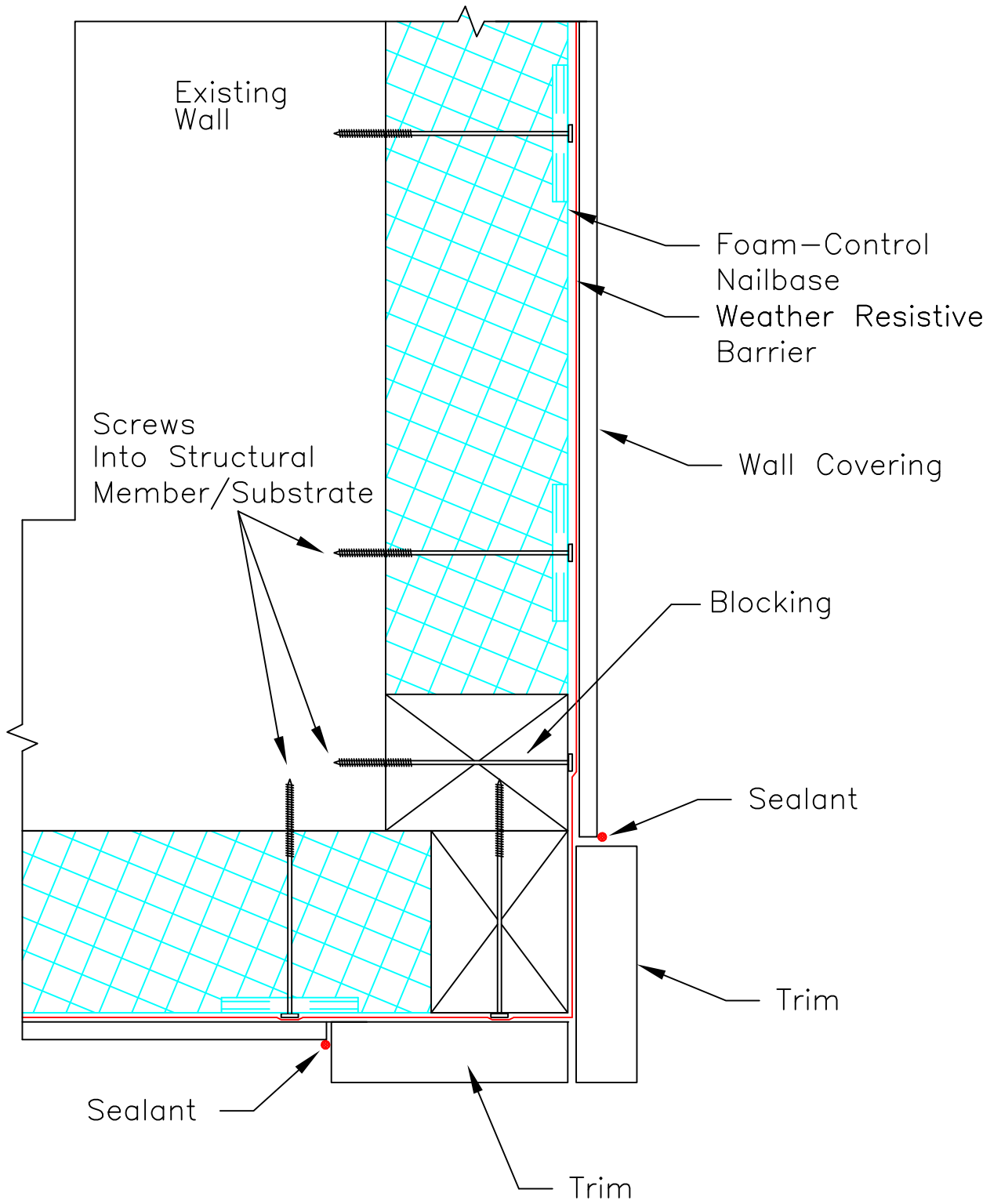
SCALE: NTS

Updated 1-21-11

**Foam-Control® Nailstrip**

TITLE:  
EXTERIOR OPENING JAMB

NO.  
FC-506



**SECTION**

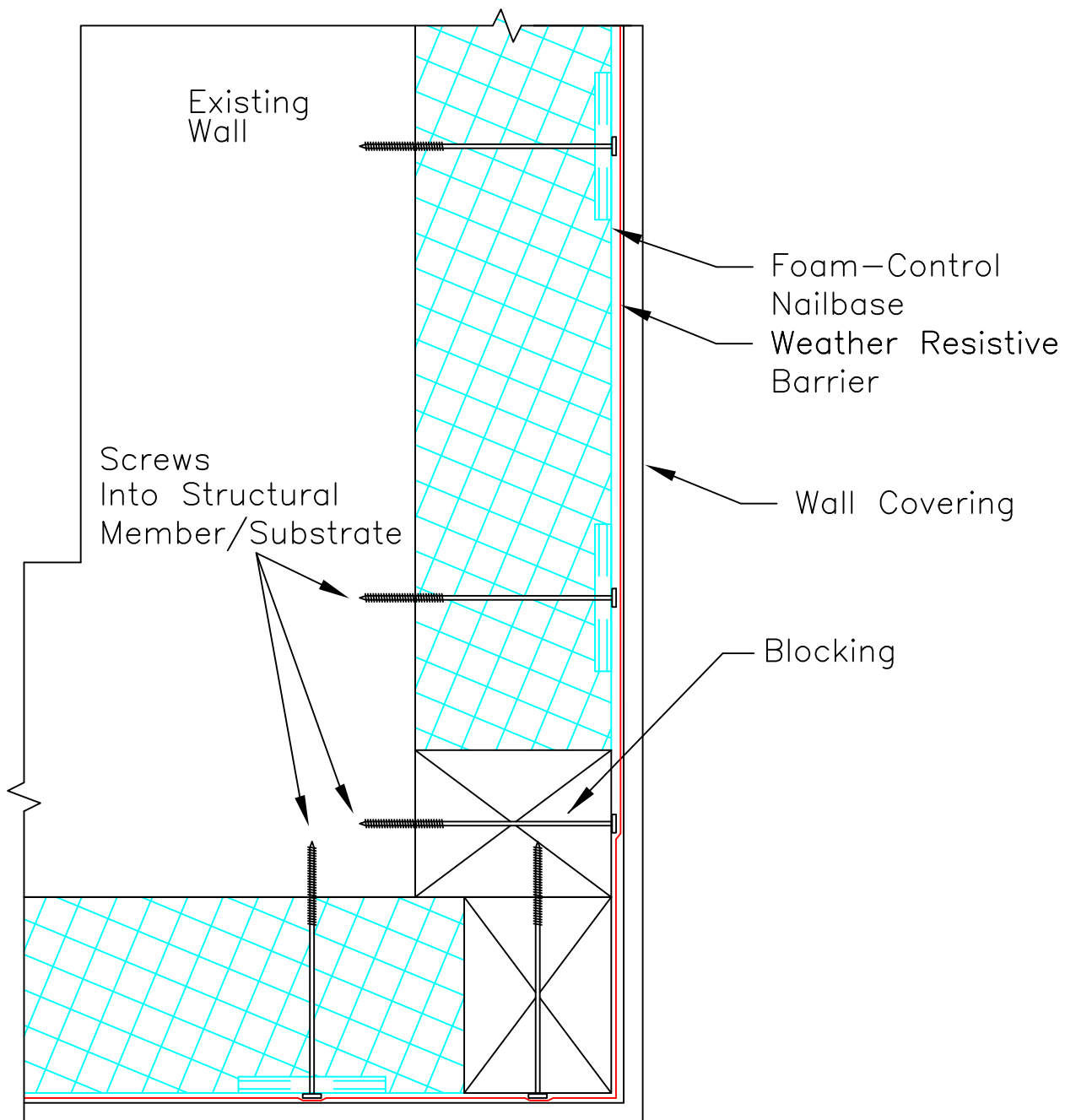
SCALE: NTS

Updated 1-21-11

**Foam-Control® Nailstrip**

TITLE:  
EXTERIOR OUTSIDE CORNER

NO.  
FC-507



**SECTION**

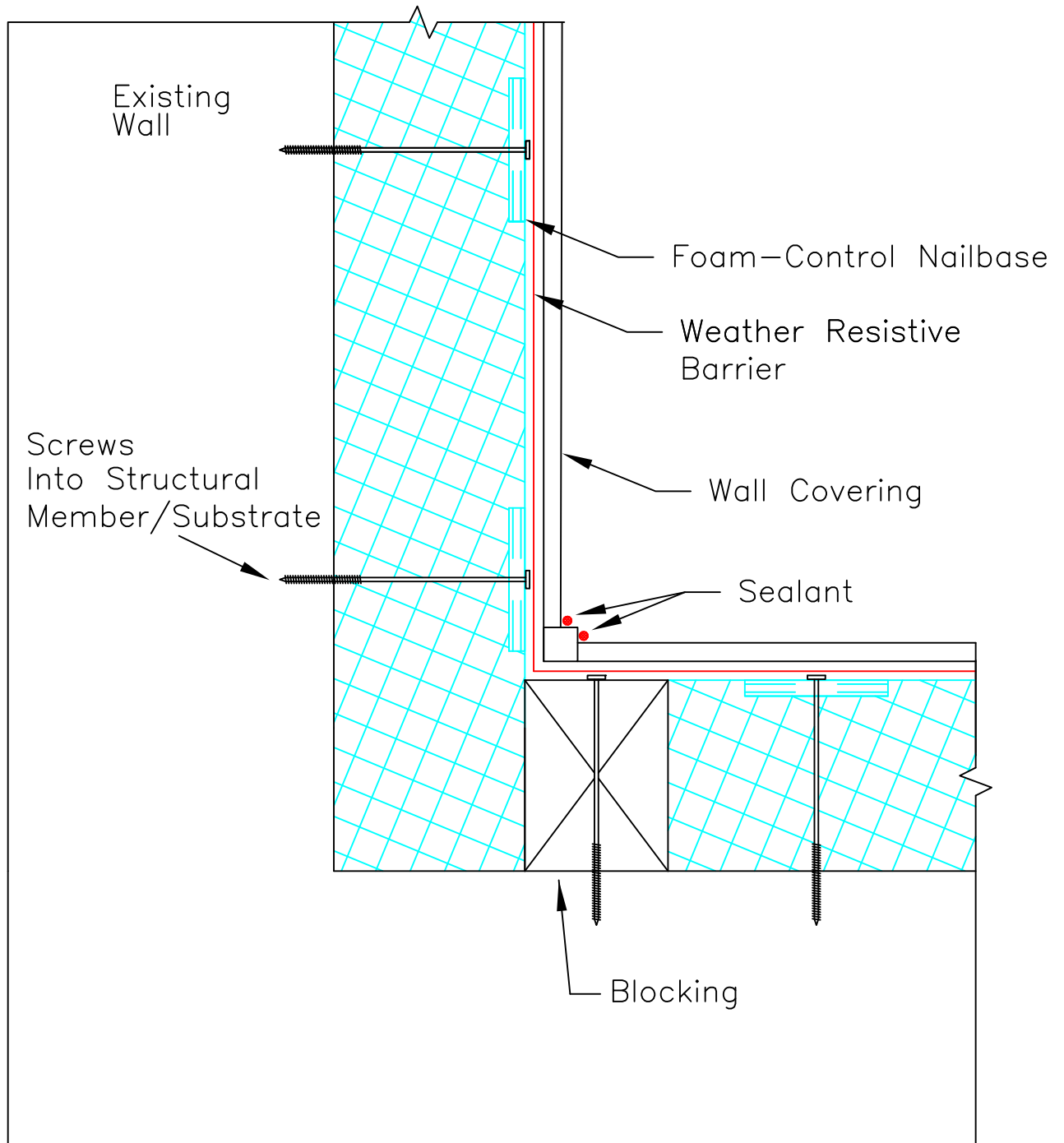
SCALE: NTS

Updated 1-21-11

**Foam-Control® Nailstrip**

TITLE:  
EXTERIOR OUTSIDE CORNER

NO.  
FC-507a



**SECTION**

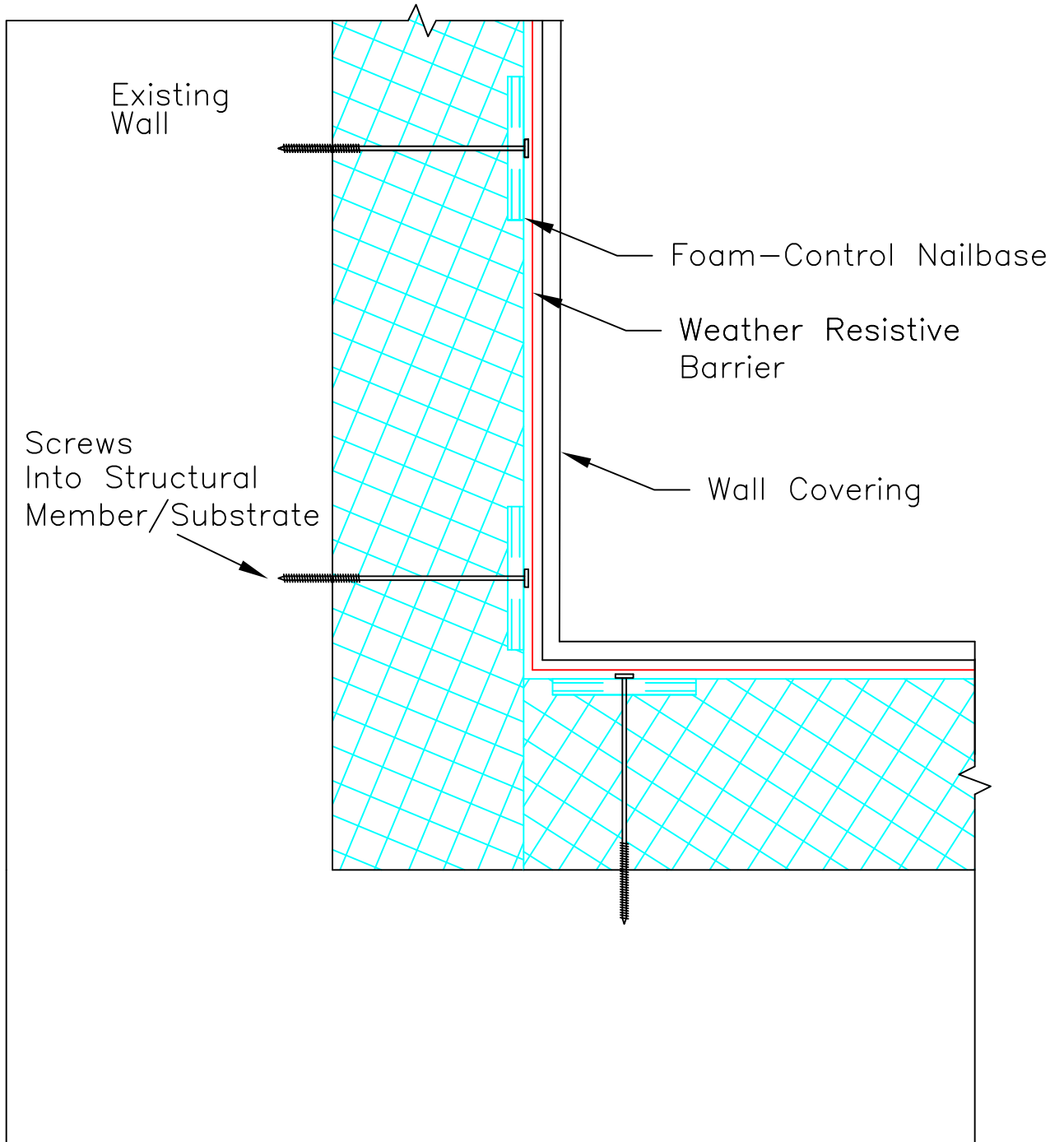
SCALE: NTS

Updated 1-21-11

**Foam-Control® Nailstrip**

TITLE:  
EXTERIOR INSIDE CORNER

NO.  
FC-508



**SECTION**

SCALE: NTS

Updated 1-21-11

**Foam-Control® Nailstrip**

TITLE:  
EXTERIOR INSIDE CORNER

NO.  
FC-508a



## Nailstrip No. 8001

**Subject:** Foam-Control Nailstrip - Substrate Preparation and Installation

**Date:** April 2011

Foam-Control Nailstrip is an ideal insulation and nailable surface when applied over structural walls such as poured concrete, concrete block, brick, wood and steel framing.

Foam-Control Nailstrip must be applied to a solid sound structural substrate. Prior to installing Foam-Control Nailstrip, examine all areas of the substrate to make certain that adequate mechanical attachment can be achieved. Areas that are not adequately strong must be repaired or replaced. The substrate must be free of all contaminants that may cause damage to Foam-Control Nailstrip or inhibit attachment. The substrate surface additionally must be flat. Remove bumps, protrusions, and irregularities that may interfere with installation. Provide framing as needed around fixtures, pipes, services boxes, etc. as required.

The substrate should be plumb and square. If the substrate is out of square, provide square and plumb framing members at the boundary of the substrate prior to installation of Foam-Control Nailstrip.

If the substrate is not plumb determine the out of plane areas prior to installation and use the following general guidelines:

- Use Loctite® PL® 300 VOC Foamboard or similar polystyrene compatible adhesive to apply 3" diameter pillows of adhesive to the substrate on 12" centers vertically and horizontally.

Note: Apply the adhesive thicker over indented areas and thinner in protruding areas.

- Apply the Foam-Control Nailstrip to the substrate and press firmly against the adhesive.
- Use a 6' flat edge board or similar to tamp the entire face of the Foam-Control Nailstrip until it is plumb and square.

- Apply Foam-Control fasteners in sufficient number to temporarily hold the Foam-Control Nailstrip in place without movement.

- After the adhesive has sufficiently cured, install Foam-Control fasteners per the specified installation pattern.

Note: Structural substrates that are severely out of plumb may require longer screws at the "kicked in" areas.

Once installation of the Foam-Control Nailstrip is complete, attach appropriate cladding materials per the cladding manufacturers recommended installation guidelines.



Foam-Control EPS products are manufactured by AFM Corporation licensees.

Copyright ©2011 AFM Corporation. All rights reserved. Printed in USA. Foam-Control, Perform Guard, and Control, Not Compromise are trademarks of AFM Corporation, Lakeville, MN.



## Nailstrip No. 8002

**Subject:** Foam-Control Nailstrip - Rainscreens

**Date:** September 2011

Rainscreens are a building science design strategy for exterior walls that incorporate a number of elements to reduce the potential for water damage. Rainscreens are most commonly used in regions that have significant rainfall. The key elements of a rainscreen are:

1. Exterior Cladding
2. Air Space
3. Drainage Layer
4. Airtight Wall

Rainscreen designs accept that water may penetrate the exterior cladding, but this water is subsequently removed by draining down the drainage layer and exiting out the bottom of the wall assembly. The drainage layer coupled with the air space provides an improved defense to resist potential damage from water to the wall and cladding materials.

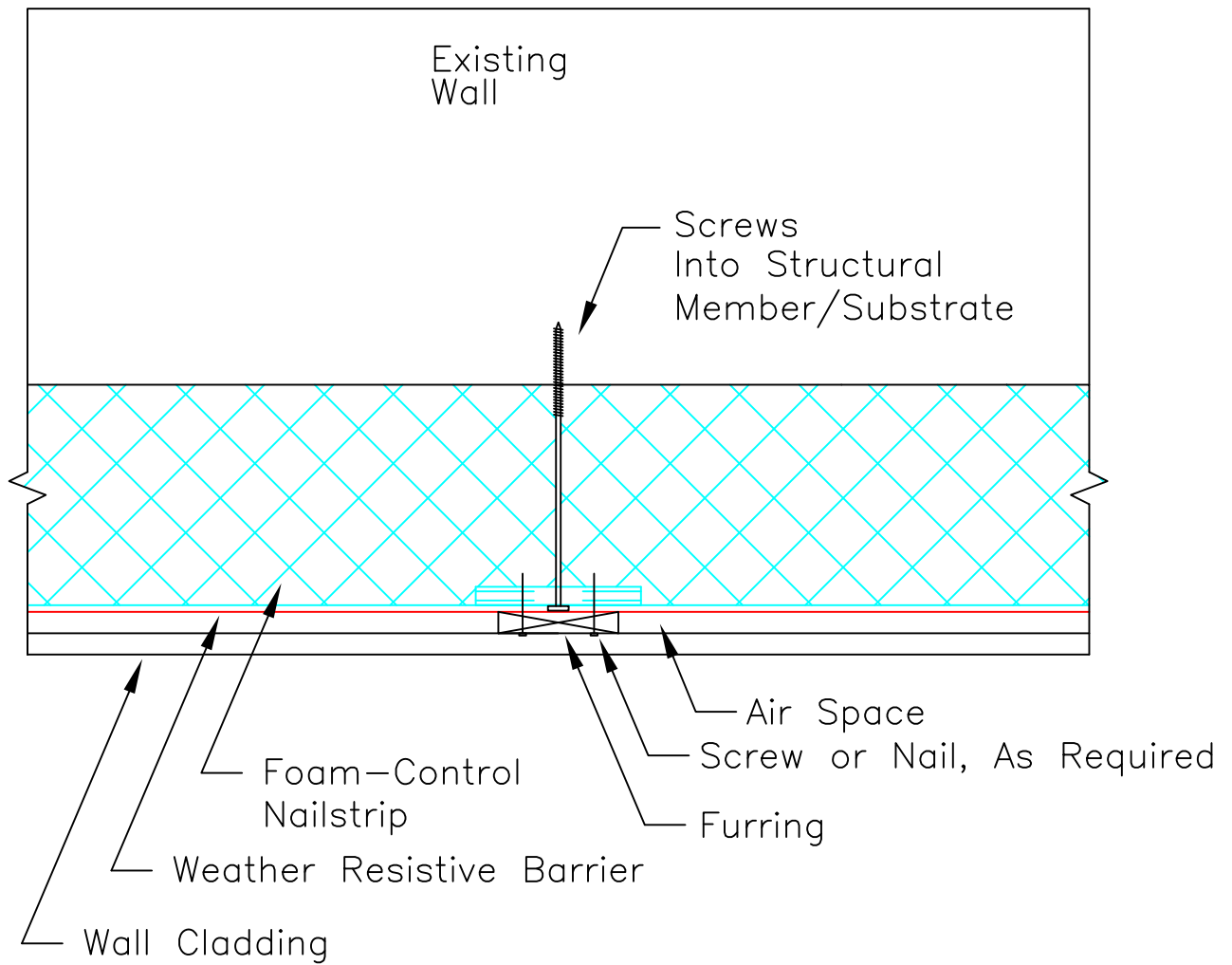
Foam-Control Nailstrip is ideal for use as part of a Rainscreen design when covered with a weather resistant barrier, furring, and an exterior cladding. Please refer to the attached detail.



Foam-Control EPS products are manufactured by AFM Corporation licensees.

Copyright © 2011 AFM Corporation.  
All rights reserved. Printed in USA.  
Foam-Control, Perform Guard, and Control, Not Compromise are trademarks of AFM Corporation, Lakeville, MN.





**SECTION**

SCALE: NTS

Updated 8-22-11

**Foam-Control® Nailstrip**

TITLE:  
Rainscreen

NO.  
FC-600

# CONTROL, NOT COMPROMISE.®

## CONTROL YOUR:

- MATERIALS
- R-VALUES
- PROCESS
- COSTS
- TIMELINE
- LIABILITY

## DON'T COMPROMISE YOUR:

- DESIGN
- ENERGY EFFICIENCY
- STRUCTURAL INTEGRITY
- PROFITABILITY
- QUALITY
- REPUTATION



Foam-Control EPS products are manufactured by AFM Corporation licensees.

Copyright © 2011 AFM Corporation. All rights reserved. Printed in USA.

Control, Not Compromise and Foam-Control EPS are registered trademarks of AFM Corporation, Lakeville, MN.

FCN-03-09/11-E