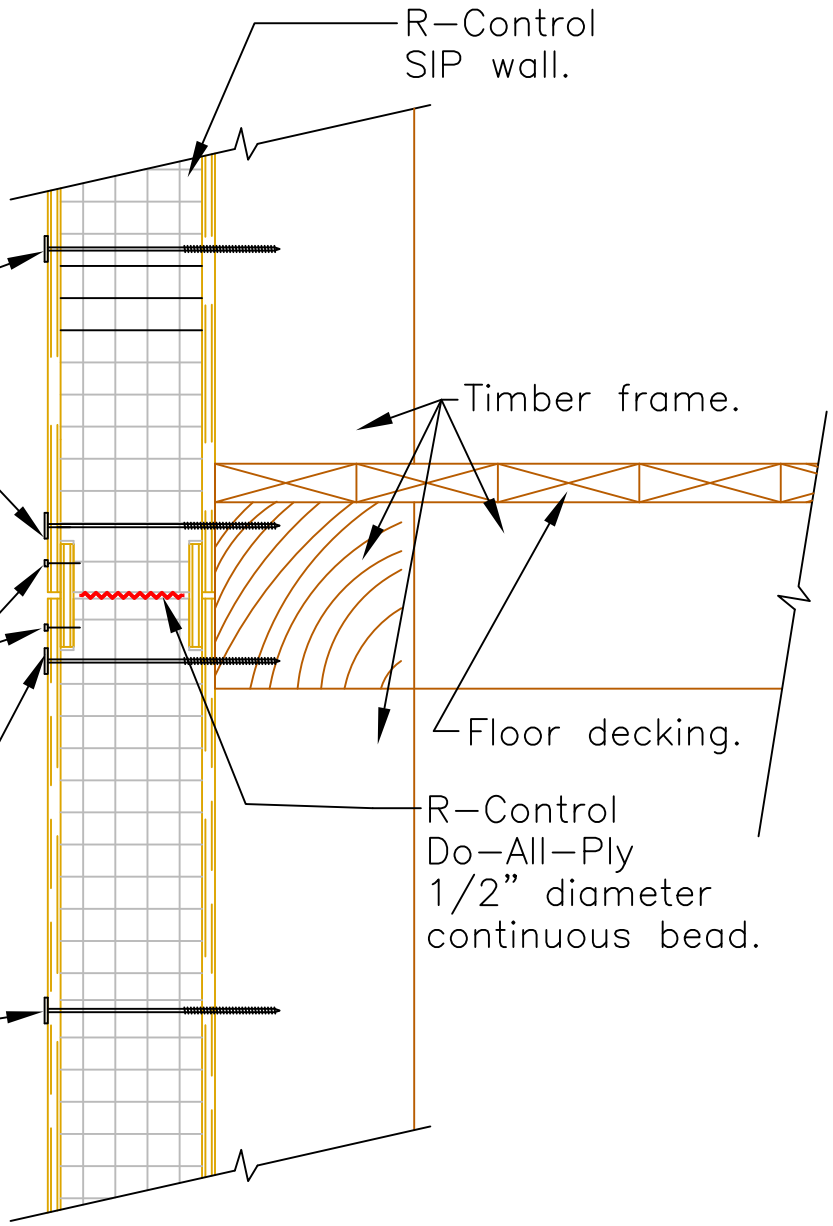


Note: wall covering & water resistive barrier as req'd by code.

R-Control Wood Screw @ 12" o.c. or as required.

8d box (0.113) nails @ 3" o.c. both sides of panel joint or equivalent. Outside of panel only.

R-Control Wood Screw @ 12" o.c. or as required.



SECTION

Scale: NTS

Updated 1-16-12

R-Control® SIP

TITLE: SIP Wall at Timber Frame Floor

NO. SIP-204